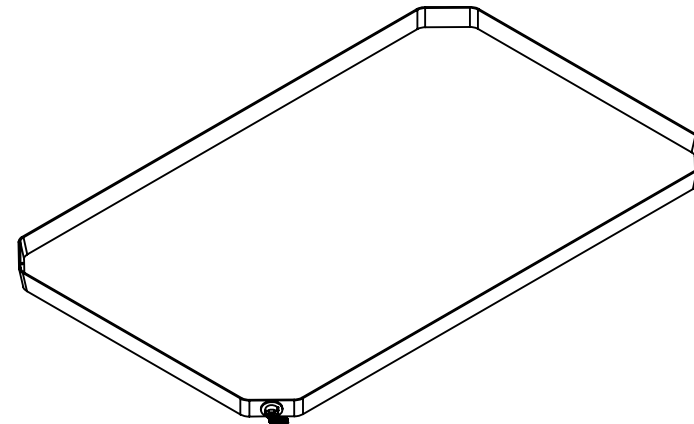
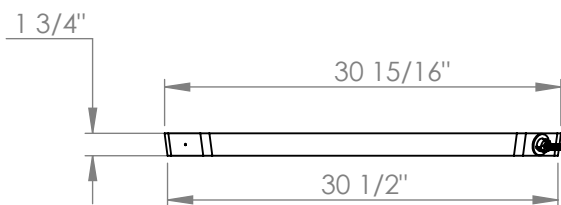


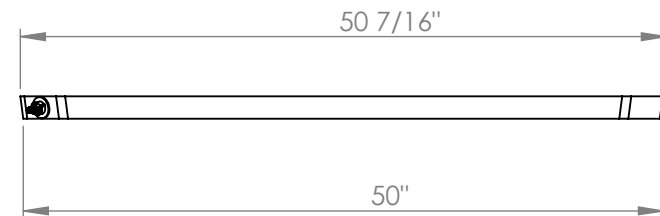
TOP VIEW



ISOMETRIC VIEWS



FRONT VIEW



SIDE VIEW

Copyright © 2008 Quality Molded Plastics LTD.

**PROPRIETARY AND CONFIDENTIAL**  
 THE INFORMATION CONTAINED IN THIS DRAWING IS THE SOLE PROPERTY OF QUALITY MOLDED PLASTICS LTD. ANY REPRODUCTION IN PART OR AS A WHOLE WITHOUT THE WRITTEN PERMISSION OF QUALITY MOLDED PLASTICS LTD. IS PROHIBITED.

CLIENT NAME:  
**QMP**  
 APPROXIMATE WEIGHT (lb): 7.49

MATERIAL:  
 LLDPE

DATE:  
 MAR/28/2017

DRAWN BY:  
 S.APPLETON

DESCRIPTION:  
**CONDENSATION, TRAY, 300 OVAL**

REV  
**Y**

DO NOT SCALE DRAWING

**UNLESS OTHERWISE SPECIFIED:**  
 --- TOLERANCES ---  
 LENGTH DIMENSION: ± 1%  
 ANGULAR: ± 1.0°  
 DIMENSIONS ARE IN INCHES



**QUALITY MOLDED PLASTICS LTD.**  
 Site 412, P.O. Box 280, R.R.#4  
 SASKATOON, SK S7K 3J7

SCALE: 1:15  
 SHEET 1 OF 1

PART NO.  
**60175-1**