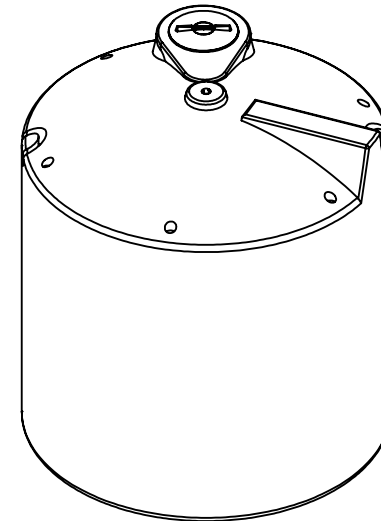
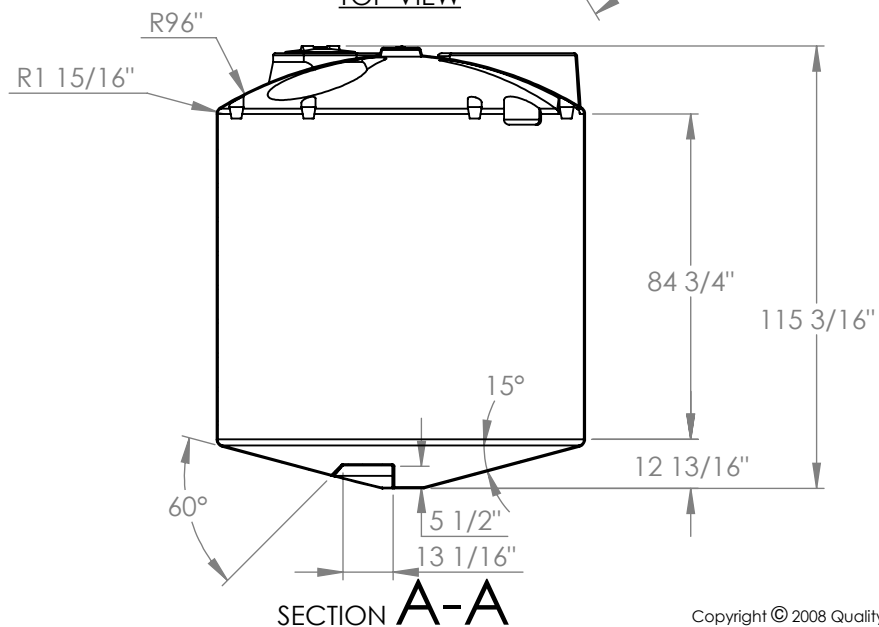


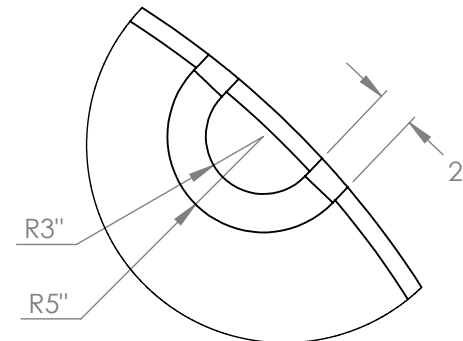
TOP VIEW



ISOMETRIC VIEWS



SECTION A-A



DETAIL H  
SCALE 1 : 10

Copyright © 2008 Quality Molded Plastics LTD.

**PROPRIETARY AND CONFIDENTIAL**  
THE INFORMATION CONTAINED IN THIS DRAWING IS THE SOLE PROPERTY OF QUALITY MOLDED PLASTICS LTD. ANY REPRODUCTION IN PART OR AS A WHOLE WITHOUT THE WRITTEN PERMISSION OF QUALITY MOLDED PLASTICS LTD. IS PROHIBITED.

CLIENT NAME:  
**QMP**  
APPROXIMATE WEIGHT (lb):  
**UNLESS OTHERWISE SPECIFIED:**  
--- TOLERANCES ---  
LENGTH DIMENSION: ± 1%  
ANGULAR: ± 1.0°  
DIMENSIONS ARE IN INCHES

MATERIAL:  
LLDPE  
DATE:  
NOV 28, 2013  
DRAWN BY:  
S. APPLETON  
**QMP** QUALITY MOLDED PLASTICS LTD.  
Site 412, P.O. Box 280, R.R.#4  
SASKATOON, SK S7K 3J7

DESCRIPTION:  
**TANK, 2580 GAL, 15 DEG, CB**  
SCALE: 1:50  
SHEET 1 OF 1  
PART NO.  
**60171-1**  
REV  
**Y**

DO NOT SCALE DRAWING