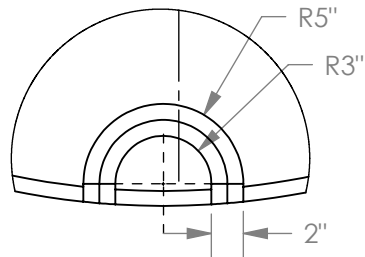
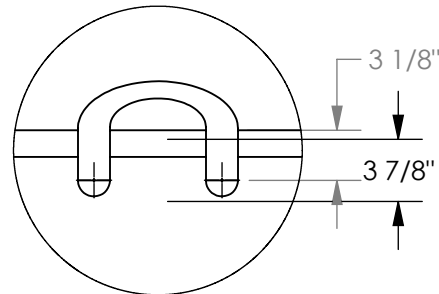


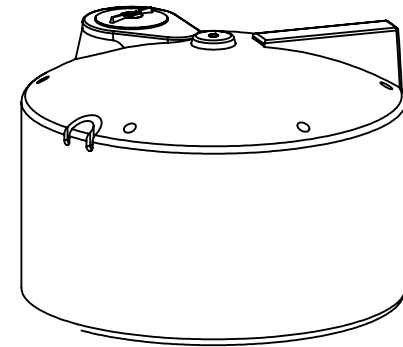
TOP VIEW



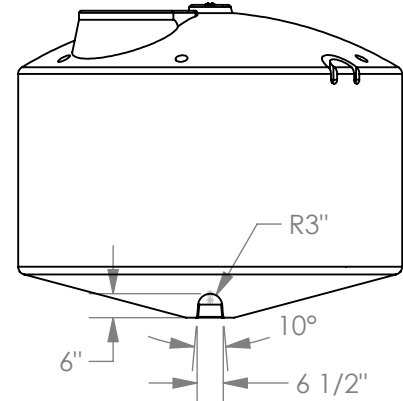
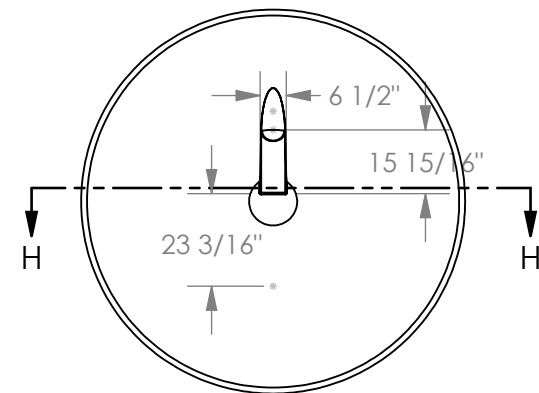
DETAIL A  
SCALE 1 : 12



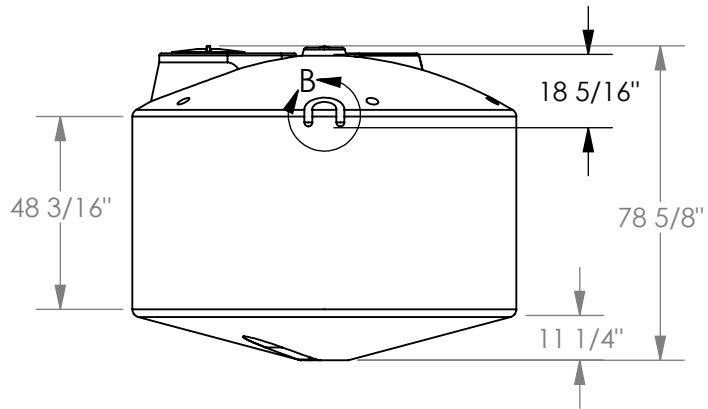
DETAIL B  
SCALE 1 : 12



ISOMETRIC VIEW



SECTION H-H Copyright © 2006 Quality Molded Plastics LTD.



FRONT VIEW

<b>PROPRIETARY AND CONFIDENTIAL</b> THE INFORMATION CONTAINED IN THIS DRAWING IS THE SOLE PROPERTY OF QUALITY MOLDED PLASTICS LTD. ANY REPRODUCTION IN PART OR AS A WHOLE WITHOUT THE WRITTEN PERMISSION OF QUALITY MOLDED PLASTICS LTD. IS PROHIBITED.	CLIENT NAME: QMP	MATERIAL: LLDPE	DATE: MAY 4, 2020	DRAWN BY: S.APPLETON	DESCRIPTION: <b>TANK, 1600 GAL, 15 DEG, CB</b>	REV <b>Y</b>
	CLIENT PART # : UNLESS OTHERWISE SPECIFIED:	DO NOT SCALE DRAWING			SCALE: 1:48	PART NO. <b>60169-1</b>
	TOLERANCES: LENGTH DIMENSION: ± 1% ANGULAR: ± 1.0°	DIMENSIONS ARE IN INCHES			QUALITY MOLDED PLASTICS LTD. Site 412, P.O. Box 280, R.R.#4 SASKATOON, SK S7K 3J7	SHEET 1 OF 1