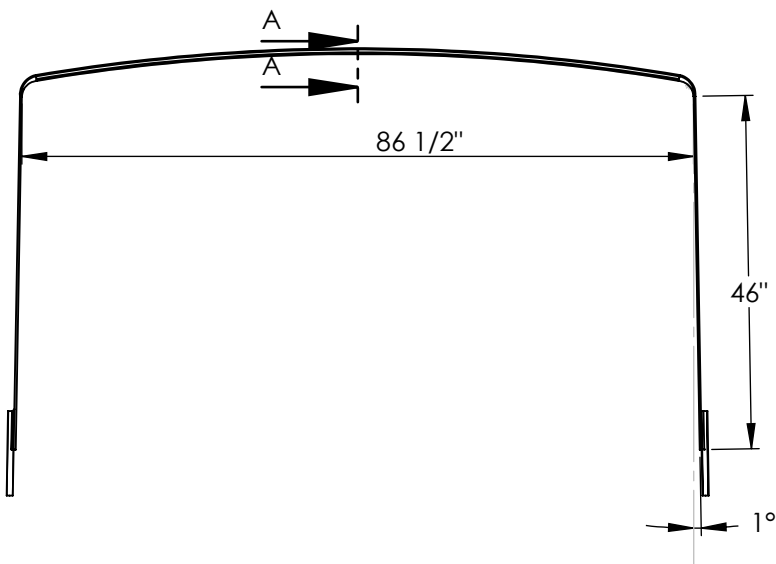
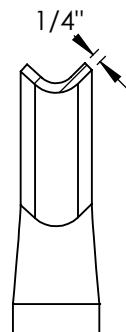




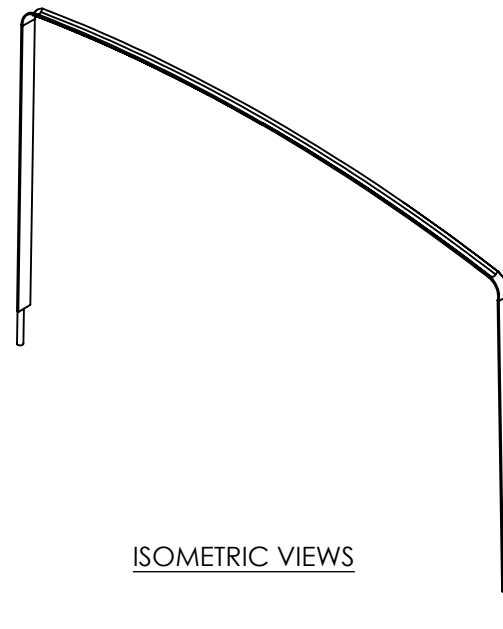
TOP VIEW



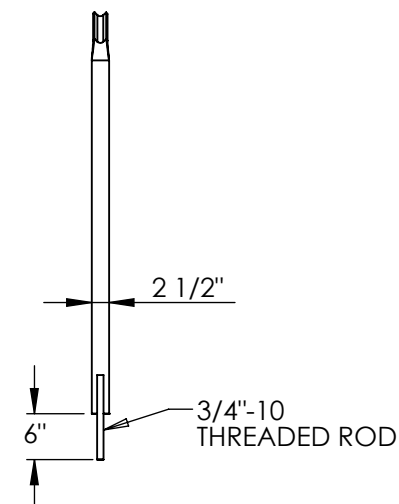
FRONT VIEW



SECTION A-A
SCALE 1 : 5



ISOMETRIC VIEWS



SIDE VIEW

Copyright © 2008 Quality Molded Plastics LTD.

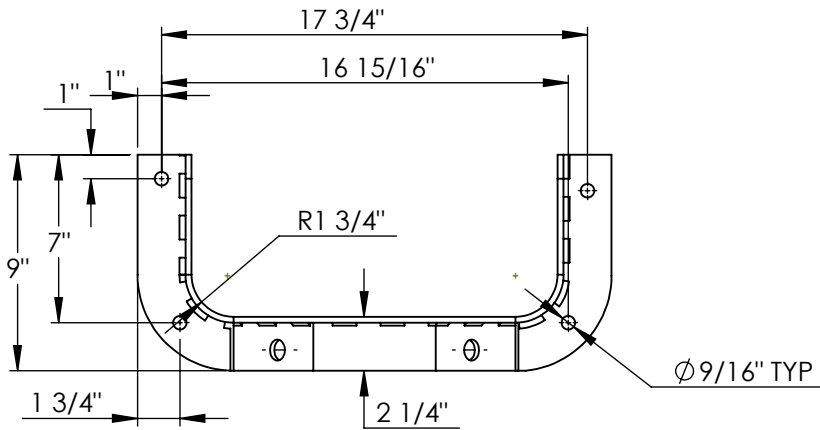
PROPRIETARY AND CONFIDENTIAL
THE INFORMATION CONTAINED IN THIS DRAWING IS THE SOLE PROPERTY OF QUALITY MOLDED PLASTICS LTD. ANY REPRODUCTION IN PART OR AS A WHOLE WITHOUT THE WRITTEN PERMISSION OF QUALITY MOLDED PLASTICS LTD. IS PROHIBITED.

CLIENT NAME:
QMP
APPROXIMATE WEIGHT (lb): .
UNLESS OTHERWISE SPECIFIED:
--- TOLERANCES ---
LENGTH DIMENSION: ± 1%
ANGULAR: ± 1.0°
DIMENSIONS ARE IN INCHES

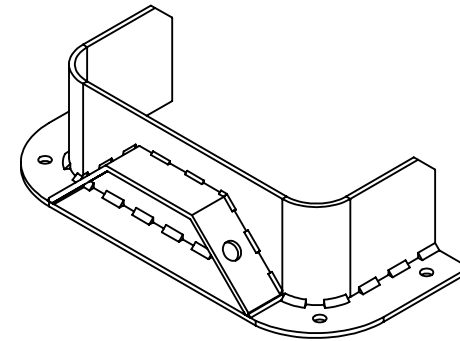
MATERIAL:
1/4" MILD STEEL
DATE:
MAY/24/2012
DRAWN BY:
S.APPLETON
QMP QUALITY MOLDED PLASTICS LTD.
Site 412, P.O. Box 280, R.R.#4
SASKATOON, SK S7K 3J7

DESCRIPTION:
MOUNT,STRAP,LEG TANK,BLK
SCALE: 1:25
SHEET 1 OF 1
PART NO.
10175-1 Strap
REV
3

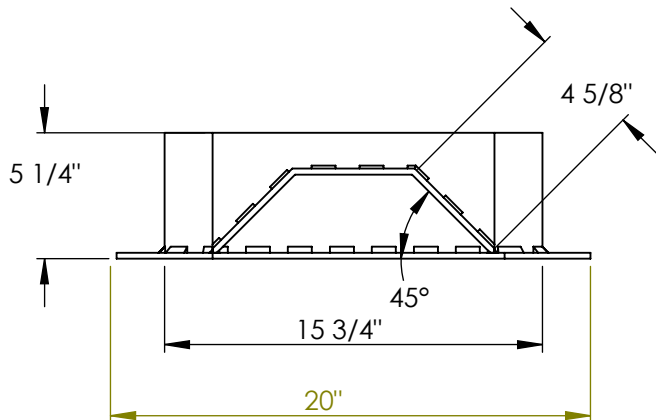
DO NOT SCALE DRAWING



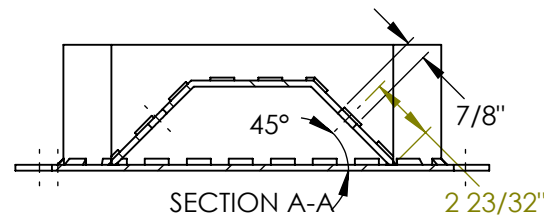
TOP VIEW



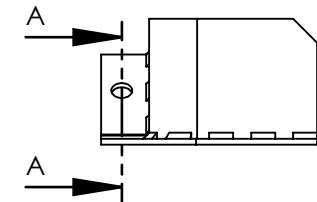
ISOMETRIC VIEWS



FRONT VIEW



SIDE VIEW



Copyright © 2008 Quality Molded Plastics LTD.

PROPRIETARY AND CONFIDENTIAL
 THE INFORMATION CONTAINED IN THIS DRAWING IS THE SOLE PROPERTY OF QUALITY MOLDED PLASTICS LTD. ANY REPRODUCTION IN PART OR AS A WHOLE WITHOUT THE WRITTEN PERMISSION OF QUALITY MOLDED PLASTICS LTD. IS PROHIBITED.

CLIENT NAME:
QMP
 APPROXIMATE WEIGHT (lb): .
UNLESS OTHERWISE SPECIFIED:
 --- TOLERANCES ---
 LENGTH DIMENSION: ± 1%
 ANGULAR: ± 1.0°
 DIMENSIONS ARE IN INCHES

MATERIAL:
 1/4" MILD STEEL
 DATE:
 24/05/2012
 DRAWN BY:
 S.APPLETON
DO NOT SCALE DRAWING
QMP QUALITY MOLDED PLASTICS LTD.
 Site 412, P.O. Box 280, R.R.#4
 SASKATOON, SK S7K 3J7

DESCRIPTION:
MOUNT, FOOT, LEG TANK, BLK
 SCALE: 1:8
 SHEET 1 OF 1
 PART NO.
10176-1

REV
3