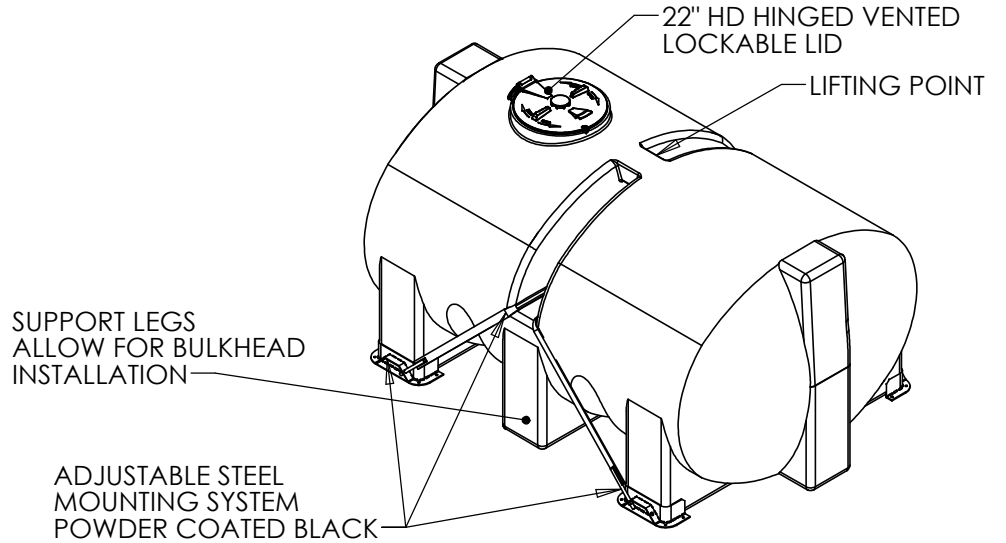
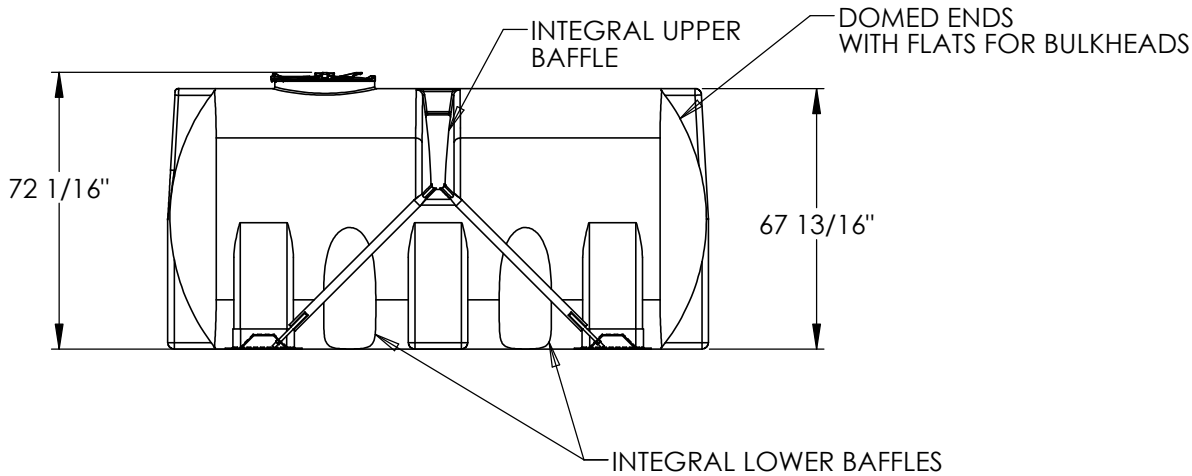


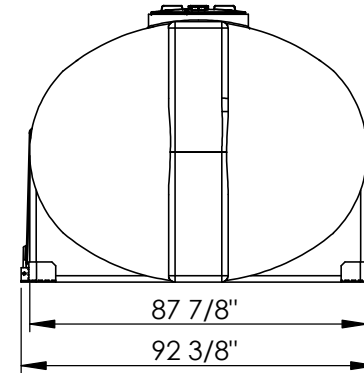
TOP VIEW



ISOMETRIC VIEWS



FRONT VIEW



SIDE VIEW

Copyright © 2008 Quality Molded Plastics LTD.

PROPRIETARY AND CONFIDENTIAL THE INFORMATION CONTAINED IN THIS DRAWING IS THE SOLE PROPERTY OF QUALITY MOLDED PLASTICS LTD. ANY REPRODUCTION IN PART OR AS A WHOLE WITHOUT THE WRITTEN PERMISSION OF QUALITY MOLDED PLASTICS LTD. IS PROHIBITED.	CLIENT NAME: QMP	MATERIAL: 8660 HDPE	DATE: MAR/26/2012	DRAWN BY: S.APPLETON	DESCRIPTION: 2400 GAL HD TRANSPORTATION TANK	REV Y
	APPROXIMATE WEIGHT (lb): 1300	DO NOT SCALE DRAWING			SCALE: 1:50	PART NO.
	UNLESS OTHERWISE SPECIFIED:		QUALITY MOLDED PLASTICS LTD. Site 412, P.O. Box 280, R.R.#4 SASKATOON, SK S7K 3J7		SHEET 1 OF 1	60153-2
	--- TOLERANCES --- LENGTH DIMENSION: ± 1% ANGULAR: ± 1.0°	DIMENSIONS ARE IN INCHES				