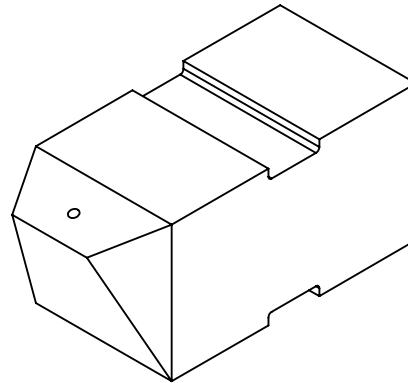


TOP VIEW

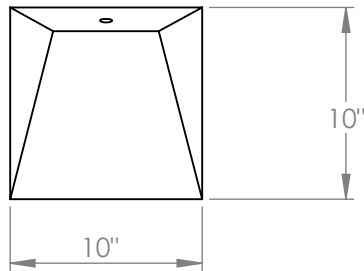


ISOMETRIC VIEWS

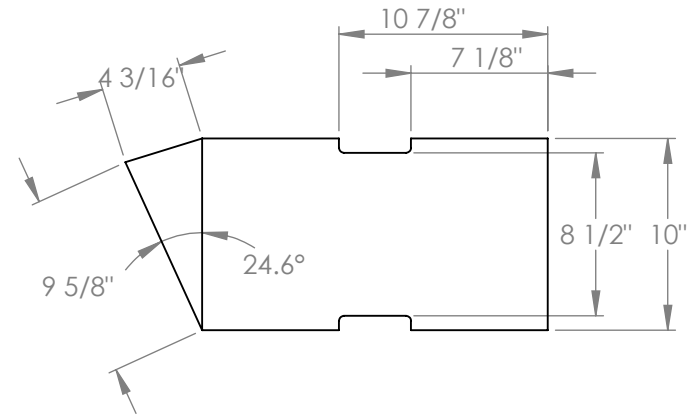
**NOTES (APPROX):**

WALL THICKNESS: 1/4"

CAPACITY:  
4 IMP. GAL  
5 U.S. GAL  
15 LITRES




FRONT VIEW



SIDE VIEW

Copyright © 2008 Quality Molded Plastics LTD.

<b>PROPRIETARY AND CONFIDENTIAL</b> THE INFORMATION CONTAINED IN THIS DRAWING IS THE SOLE PROPERTY OF QUALITY MOLDED PLASTICS LTD. ANY REPRODUCTION IN PART OR AS A WHOLE WITHOUT THE WRITTEN PERMISSION OF QUALITY MOLDED PLASTICS LTD. IS PROHIBITED.	CLIENT NAME: <b>Q.M.P.</b> APPROXIMATE WEIGHT (lb): 8	MATERIAL: LLDPE	DATE: JUNE/29/2012	DRAWN BY: S. APPLETON	DESCRIPTION: <b>TANK,5 US GAL,DISPENSER,LIQ</b>	REV <b>Y</b>
	<b>UNLESS OTHERWISE SPECIFIED:</b> --- TOLERANCES --- LENGTH DIMENSION: ± +\ - 1% DIMENSIONS ARE IN INCHES ANGULAR: ± 1.0°				DO NOT SCALE DRAWING	
	 <b>QUALITY MOLDED PLASTICS LTD.</b> Site 412, P.O. Box 280, R.R.#4 SASKATOON, SK S7K 3J7		SCALE: 1:10 SHEET 1 OF 1	PART NO. <b>60164-1</b>		