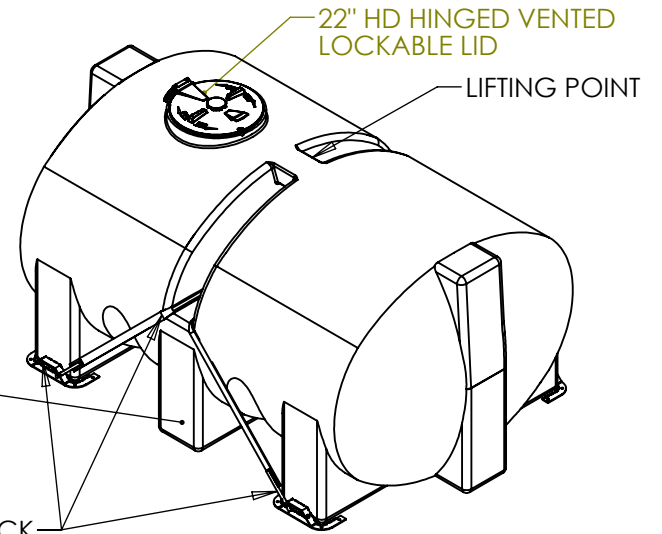


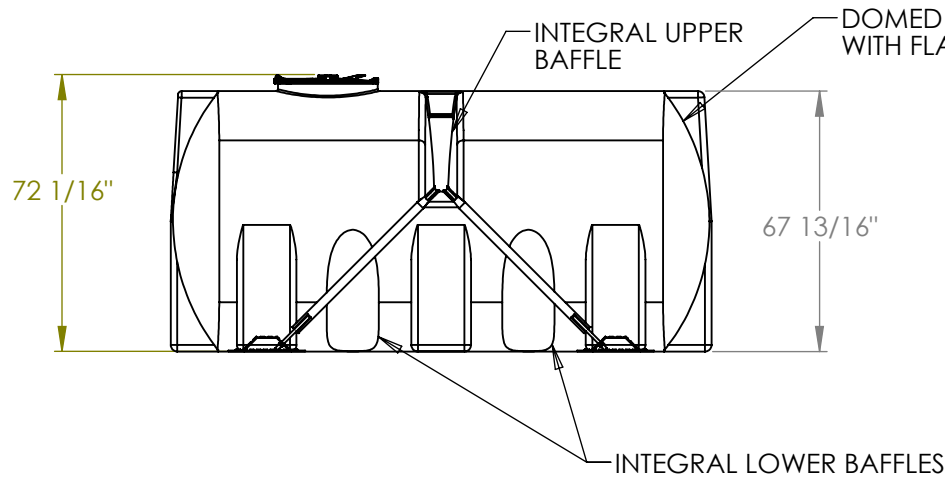
TOP VIEW



ISOMETRIC VIEWS

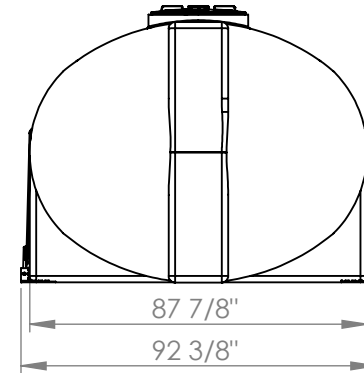
SUPPORT LEGS  
ALLOW FOR BULKHEAD  
INSTALLATION

ADJUSTABLE STEEL  
MOUNTING SYSTEM  
POWDER COATED BLACK



FRONT VIEW

DOMED ENDS  
WITH FLATS FOR BULKHEADS



SIDE VIEW

Copyright © 2008 Quality Molded Plastics LTD.

PROPRIETARY AND CONFIDENTIAL  
THE INFORMATION CONTAINED IN THIS  
DRAWING IS THE SOLE PROPERTY OF  
QUALITY MOLDED PLASTICS LTD.  
ANY REPRODUCTION IN PART OR  
AS A WHOLE WITHOUT THE WRITTEN  
PERMISSION OF QUALITY MOLDED  
PLASTICS LTD. IS PROHIBITED.

CLIENT NAME:  
**QMP**  
APPROXIMATE WEIGHT (lb): 900

UNLESS OTHERWISE SPECIFIED:  
--- TOLERANCES ---  
LENGTH DIMENSION: ± 1%  
ANGULAR: ± 1.0°  
DIMENSIONS  
ARE IN INCHES

MATERIAL:  
8660 HDPE

DATE:  
MAR/26/2012

DRAWN BY:  
S.APPLETON

DESCRIPTION:  
**2600 GAL TRANSPORTATION TANK**

REV  
Y

DO NOT SCALE DRAWING



QUALITY MOLDED PLASTICS LTD.  
Site 412, P.O. Box 280, R.R.#4  
SASKATOON, SK S7K 3J7

SCALE: 1:50  
SHEET 1 OF 1

PART NO.  
**60153-1**