
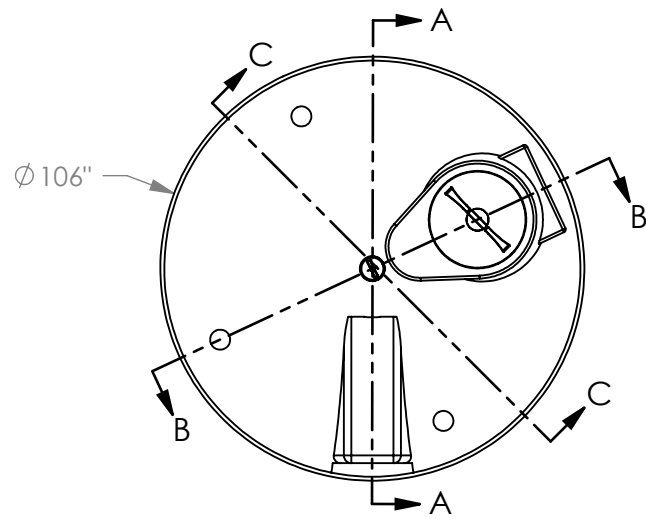
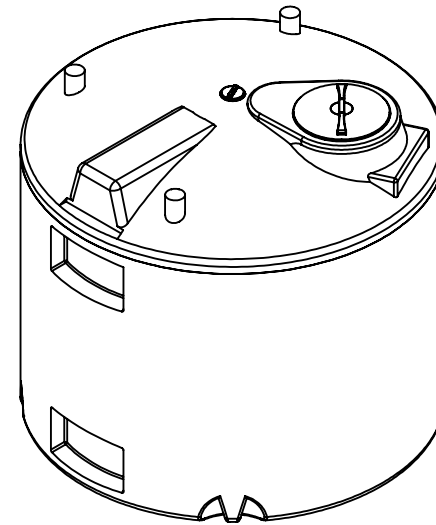


Copyright © 2006 Quality Molded Plastics LTD.

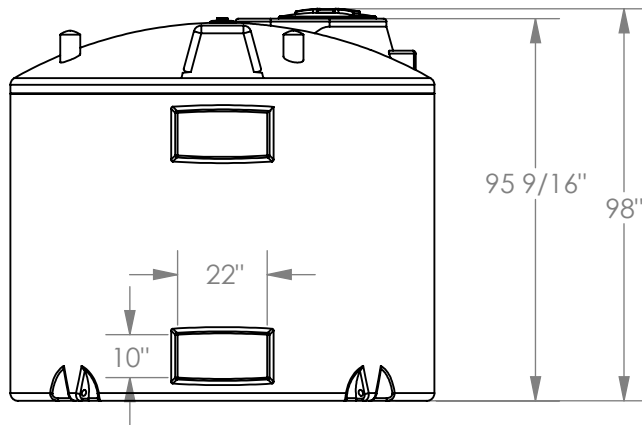
<b>PROPRIETARY AND CONFIDENTIAL</b> THE INFORMATION CONTAINED IN THIS DRAWING IS THE SOLE PROPERTY OF QUALITY MOLDED PLASTICS LTD. ANY REPRODUCTION IN PART OR AS A WHOLE WITHOUT THE WRITTEN PERMISSION OF QUALITY MOLDED PLASTICS LTD. IS PROHIBITED.	CLIENT NAME: Quality Molded Plastics	MATERIAL: -	DATE: 22 MAR 07	DRAWN BY: BRAD W	DESCRIPTION: <b>60 Barrel Tank Assembly</b>	REV <b>0</b>	
	CLIENT PART #: <b>UNLESS OTHERWISE SPECIFIED:</b>	DO NOT SCALE DRAWING					
	TOLERANCES: LENGTH DIMENSION: ± 1% ANGULAR: ± 1.0°	DIMENSIONS ARE IN INCHES			SCALE: NTS SHEET 1 OF 3	PART NO. <b>60142-2</b>	
			<b>QUALITY MOLDED PLASTICS LTD.</b> Site 412, P.O. Box 280, R.R.#4 SASKATOON, SK S7K 3J7				



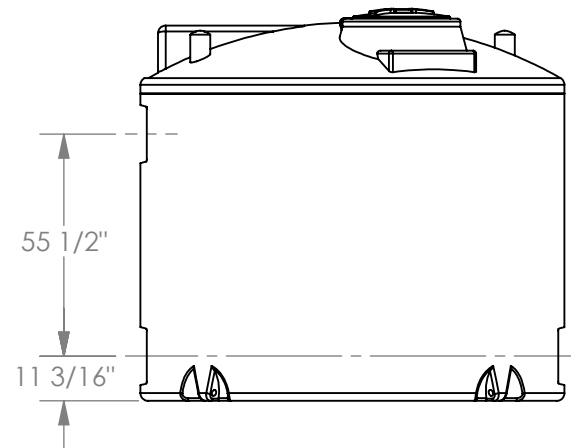
TOP VIEW



ISOMETRIC VIEW



FRONT VIEW



RIGHT VIEW

**PROPRIETARY AND CONFIDENTIAL**  
 THE INFORMATION CONTAINED IN THIS DRAWING IS THE SOLE PROPERTY OF QUALITY MOLDED PLASTICS LTD. ANY REPRODUCTION IN PART OR AS A WHOLE WITHOUT THE WRITTEN PERMISSION OF QUALITY MOLDED PLASTICS LTD. IS PROHIBITED.

CLIENT NAME:  
**Quality Molded Plastics**

MATERIAL:  
 -

DATE:  
 22 MAR 07

DRAWN BY:  
 BRAD W

DESCRIPTION:  
**60 Barrel Tank Assembly**

REV  
**0**

**UNLESS OTHERWISE SPECIFIED:**

TOLERANCES:  
 LENGTH DIMENSION:  $\pm 0.5\%$   
 ANGULAR:  $\pm 1.0^\circ$

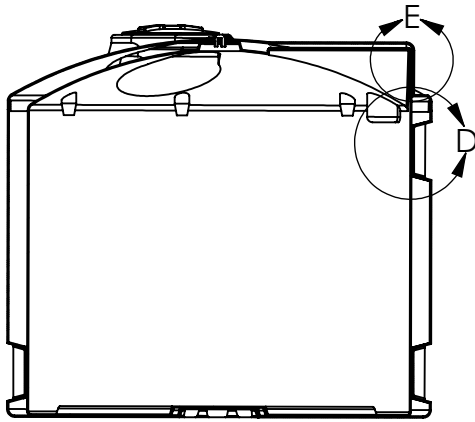
DIMENSIONS ARE  
 IN INCHES



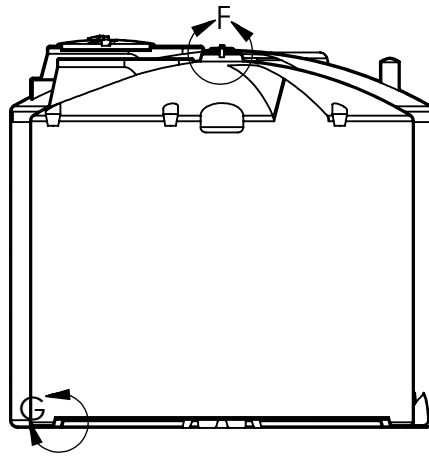
**QUALITY MOLDED PLASTICS LTD.**  
 P.O. Box 280, R.R.4  
 SASKATOON, SK S7K 3J7

SCALE: 1:48  
 SHEET 2 OF 3

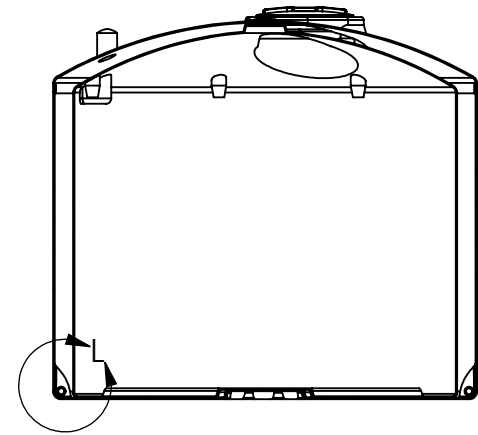
PART NO.  
**60142-2**



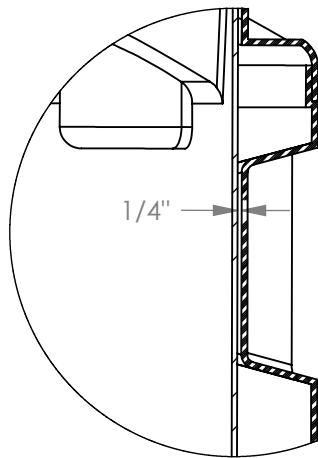
SECTION A-A  
SCALE 1 : 48



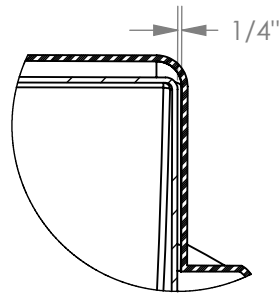
SECTION B-B  
SCALE 1 : 48



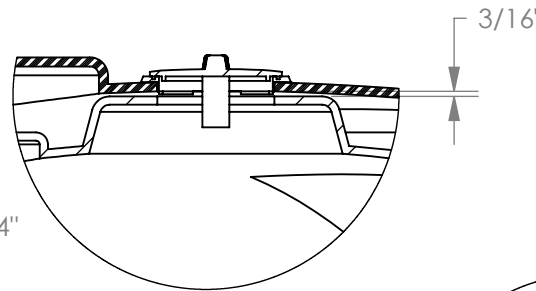
SECTION C-C  
SCALE 1 : 48



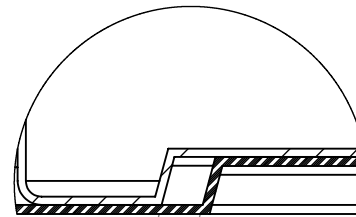
DETAIL D  
SCALE 1 : 12



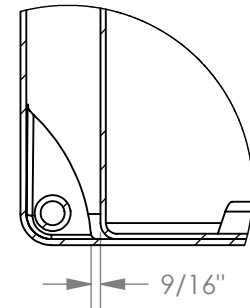
DETAIL E  
SCALE 1 : 12



DETAIL F  
SCALE 1 : 8



DETAIL G  
SCALE 1 : 8



DETAIL L  
SCALE 1 : 12

**PROPRIETARY AND CONFIDENTIAL**  
THE INFORMATION CONTAINED IN THIS DRAWING IS THE SOLE PROPERTY OF QUALITY MOLDED PLASTICS LTD. ANY REPRODUCTION IN PART OR AS A WHOLE WITHOUT THE WRITTEN PERMISSION OF QUALITY MOLDED PLASTICS LTD. IS PROHIBITED.

CLIENT NAME:  
**Quality Molded Plastics**

MATERIAL:  
-

DATE:  
22 MAR 07

DRAWN BY:  
BRAD W

DESCRIPTION:  
**60 Barrel Tank Assembly**

REV  
**0**

**UNLESS OTHERWISE SPECIFIED:**

TOLERANCES:  
LENGTH DIMENSION:  $\pm 0.5\%$   
ANGULAR:  $\pm 1.0^\circ$

DIMENSIONS ARE  
IN INCHES



**QUALITY MOLDED PLASTICS LTD.**  
P.O. Box 280, R.R.4  
SASKATOON, SK S7K 3J7

SCALE: NTS  
SHEET 3 OF 3

PART NO.  
**60142-2**