
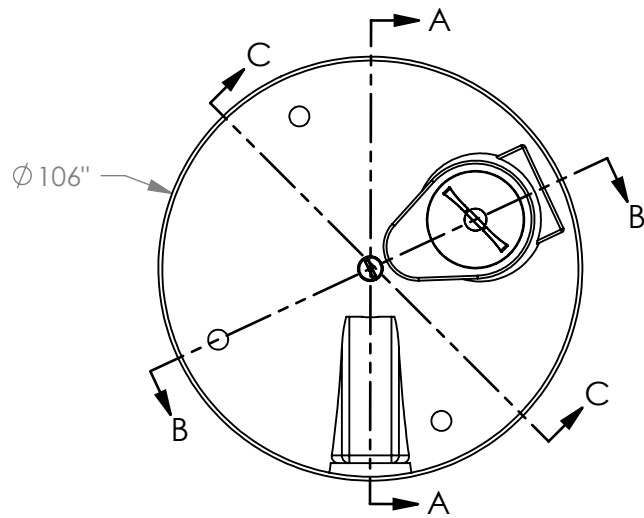
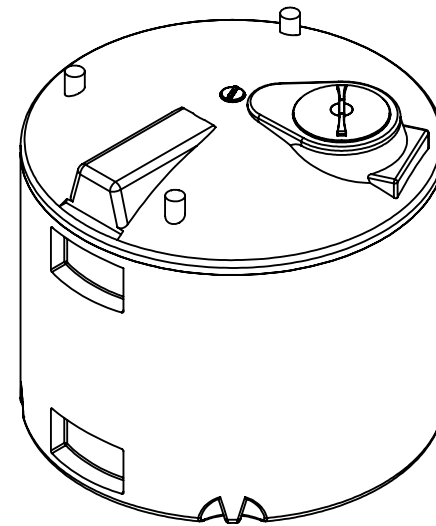


Copyright © 2006 Quality Molded Plastics LTD.

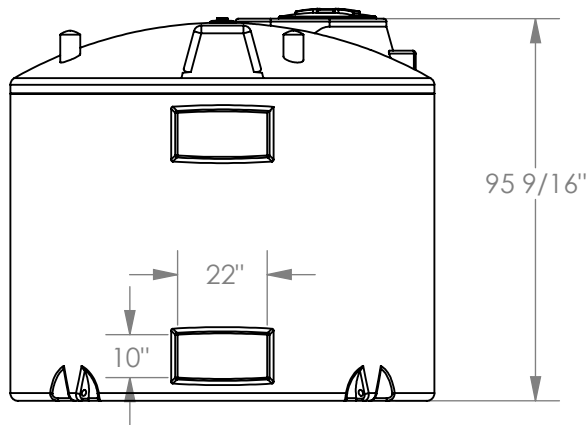
PROPRIETARY AND CONFIDENTIAL THE INFORMATION CONTAINED IN THIS DRAWING IS THE SOLE PROPERTY OF QUALITY MOLDED PLASTICS LTD. ANY REPRODUCTION IN PART OR AS A WHOLE WITHOUT THE WRITTEN PERMISSION OF QUALITY MOLDED PLASTICS LTD. IS PROHIBITED.	CLIENT NAME: Quality Molded Plastics	MATERIAL: -	DATE: 22 MAR 07	DRAWN BY: BRAD W	DESCRIPTION: 60 Barrel Tank Assembly	REV 0	
	CLIENT PART #: UNLESS OTHERWISE SPECIFIED:	DO NOT SCALE DRAWING					
	TOLERANCES: LENGTH DIMENSION: ± 1% ANGULAR: ± 1.0°	DIMENSIONS ARE IN INCHES			SCALE: NTS SHEET 1 OF 3	PART NO. 60142-1	
			QUALITY MOLDED PLASTICS LTD. Site 412, P.O. Box 280, R.R.#4 SASKATOON, SK S7K 3J7				



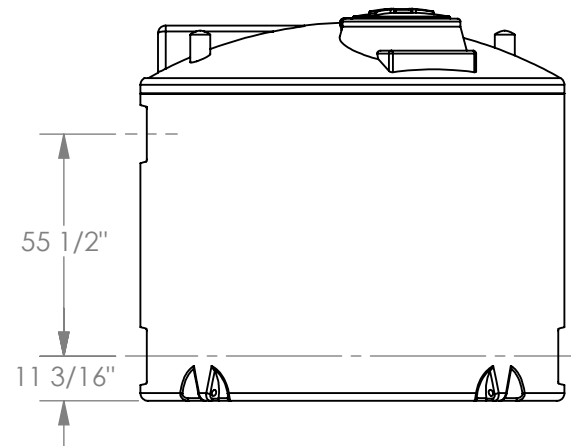
TOP VIEW



ISOMETRIC VIEW



FRONT VIEW



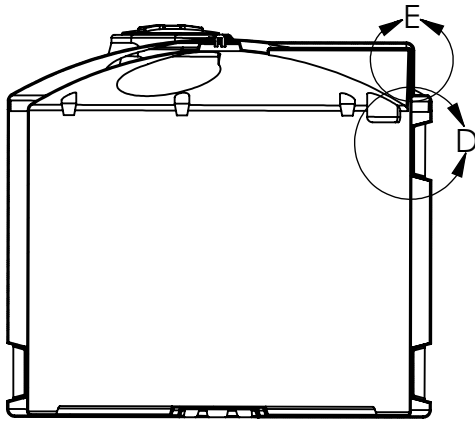
RIGHT VIEW

PROPRIETARY AND CONFIDENTIAL
 THE INFORMATION CONTAINED IN THIS DRAWING IS THE SOLE PROPERTY OF QUALITY MOLDED PLASTICS LTD. ANY REPRODUCTION IN PART OR AS A WHOLE WITHOUT THE WRITTEN PERMISSION OF QUALITY MOLDED PLASTICS LTD. IS PROHIBITED.

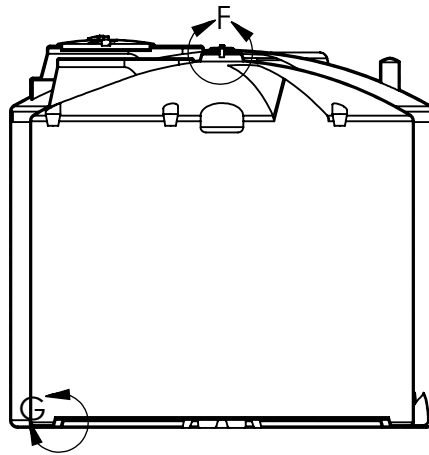
CLIENT NAME: Quality Molded Plastics	
UNLESS OTHERWISE SPECIFIED:	
TOLERANCES: LENGTH DIMENSION: ± 0.5% ANGULAR: ± 1.0°	DIMENSIONS ARE IN INCHES

MATERIAL: -	DATE: 22 MAR 07	DRAWN BY: BRAD W	DESCRIPTION: 60 Barrel Tank Assembly
DO NOT SCALE DRAWING			
QMP QUALITY MOLDED PLASTICS LTD. P.O. Box 280, R.R.4 SASKATOON, SK S7K 3J7		SCALE: 1:48 SHEET 2 OF 3	PART NO. 60142-1

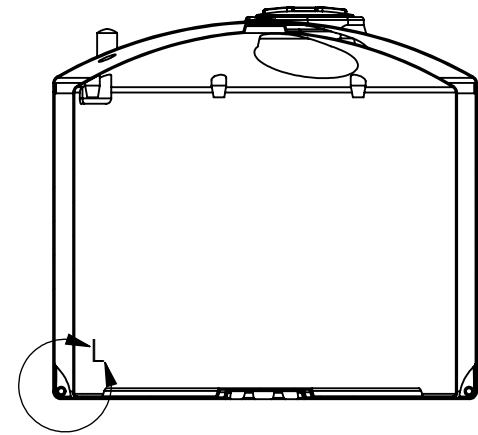
REV
0



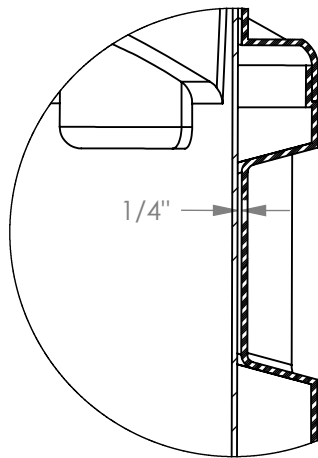
SECTION A-A
SCALE 1 : 48



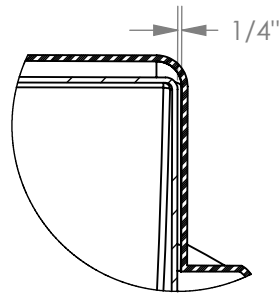
SECTION B-B
SCALE 1 : 48



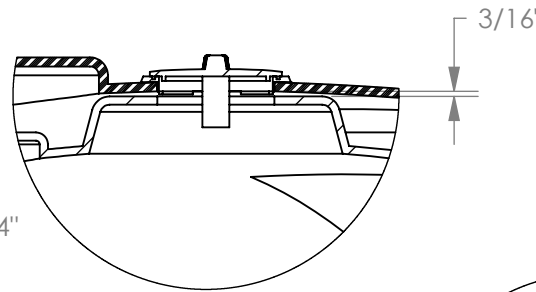
SECTION C-C
SCALE 1 : 48



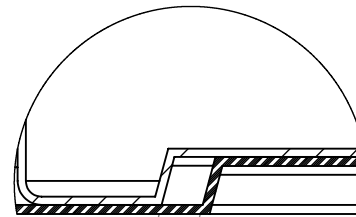
DETAIL D
SCALE 1 : 12



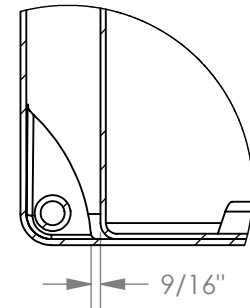
DETAIL E
SCALE 1 : 12



DETAIL F
SCALE 1 : 8



DETAIL G
SCALE 1 : 8



DETAIL L
SCALE 1 : 12

PROPRIETARY AND CONFIDENTIAL
THE INFORMATION CONTAINED IN THIS DRAWING IS THE SOLE PROPERTY OF QUALITY MOLDED PLASTICS LTD. ANY REPRODUCTION IN PART OR AS A WHOLE WITHOUT THE WRITTEN PERMISSION OF QUALITY MOLDED PLASTICS LTD. IS PROHIBITED.

CLIENT NAME:
Quality Molded Plastics

MATERIAL:
-

DATE:
22 MAR 07

DRAWN BY:
BRAD W

DESCRIPTION:
60 Barrel Tank Assembly

REV
0

UNLESS OTHERWISE SPECIFIED:

TOLERANCES:
LENGTH DIMENSION: $\pm 0.5\%$
ANGULAR: $\pm 1.0^\circ$

DIMENSIONS ARE
IN INCHES



QUALITY MOLDED PLASTICS LTD.
P.O. Box 280, R.R.4
SASKATOON, SK S7K 3J7

SCALE: NTS
SHEET 3 OF 3

PART NO.
60142-1