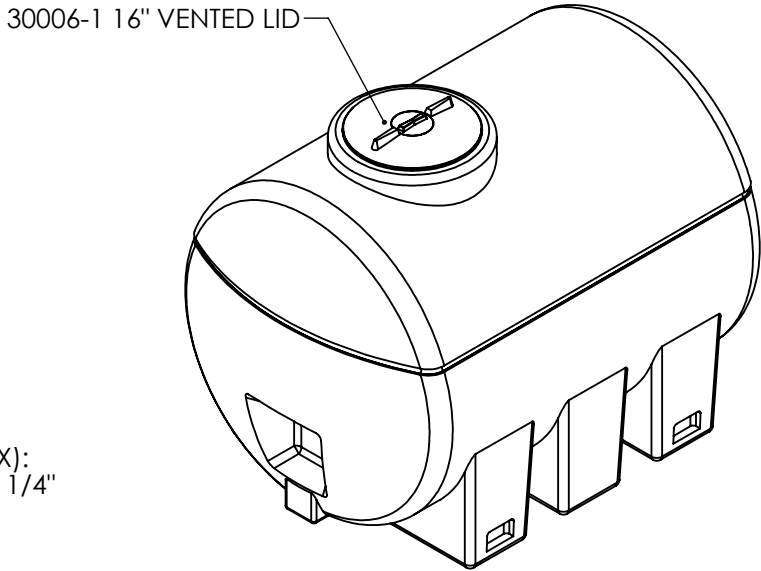


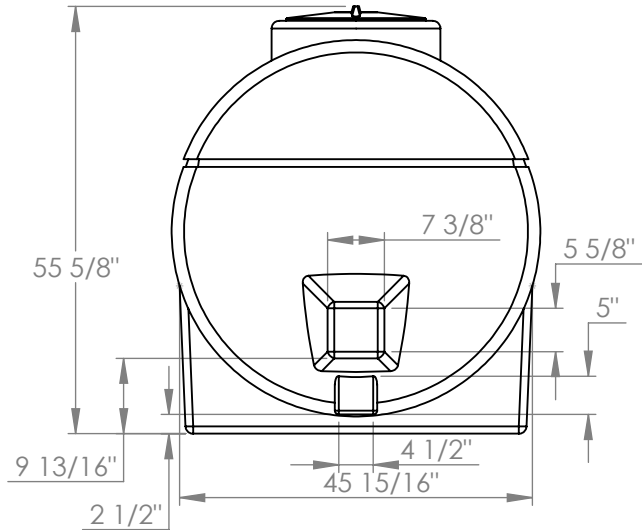
TOP VIEW



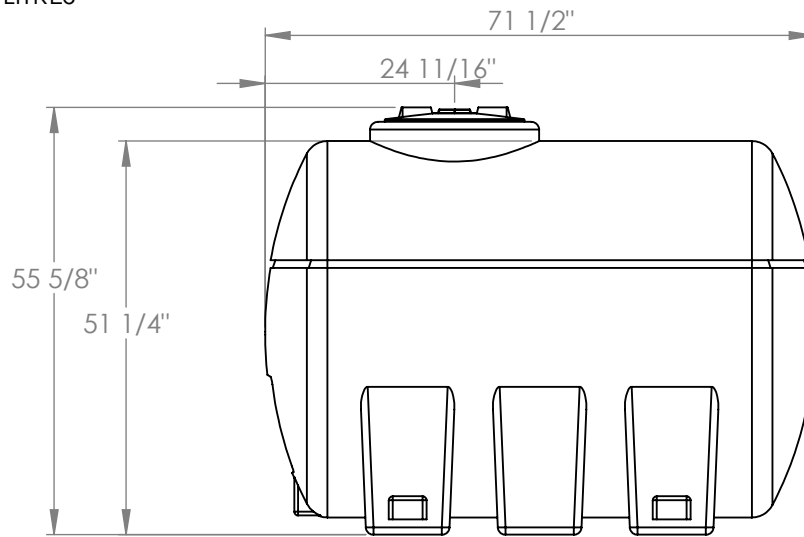
ISOMETRIC VIEWS

NOTES (APPROX):
WALL THICKNESS 1/4"

CAPACITY:
420 IMP. GAL
500 U.S. GAL
1893 LITRES



FRONT VIEW



SIDE VIEW

Copyright © 2008 Quality Molded Plastics LTD.

PROPRIETARY AND CONFIDENTIAL
THE INFORMATION CONTAINED IN THIS DRAWING IS THE SOLE PROPERTY OF QUALITY MOLDED PLASTICS LTD. ANY REPRODUCTION IN PART OR AS A WHOLE WITHOUT THE WRITTEN PERMISSION OF QUALITY MOLDED PLASTICS LTD. IS PROHIBITED.

CLIENT NAME:
Q.M.P
APPROXIMATE WEIGHT (lb): 133.56

MATERIAL:
LLDPE

DATE:
JUNE 26, 2015

DRAWN BY:
S.APPLETON

DESCRIPTION:
TANK,LEG,500 US GALLON,w/LID

REV
Y

DO NOT SCALE DRAWING

UNLESS OTHERWISE SPECIFIED:
--- TOLERANCES ---
LENGTH DIMENSION: ± 1%
ANGULAR: ± 1.0°
DIMENSIONS ARE IN INCHES



QUALITY MOLDED PLASTICS LTD.
Site 412, P.O. Box 280, R.R.#4
SASKATOON, SK S7K 3J7

SCALE: 1:25
SHEET 1 OF 1

PART NO.
60133-1