
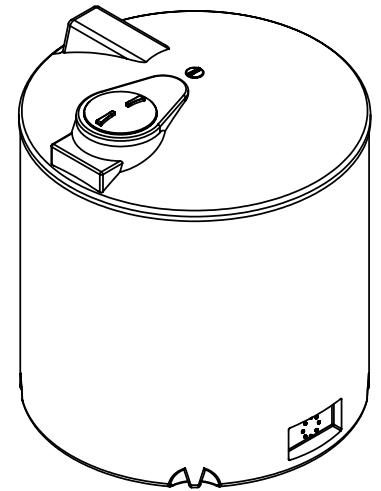
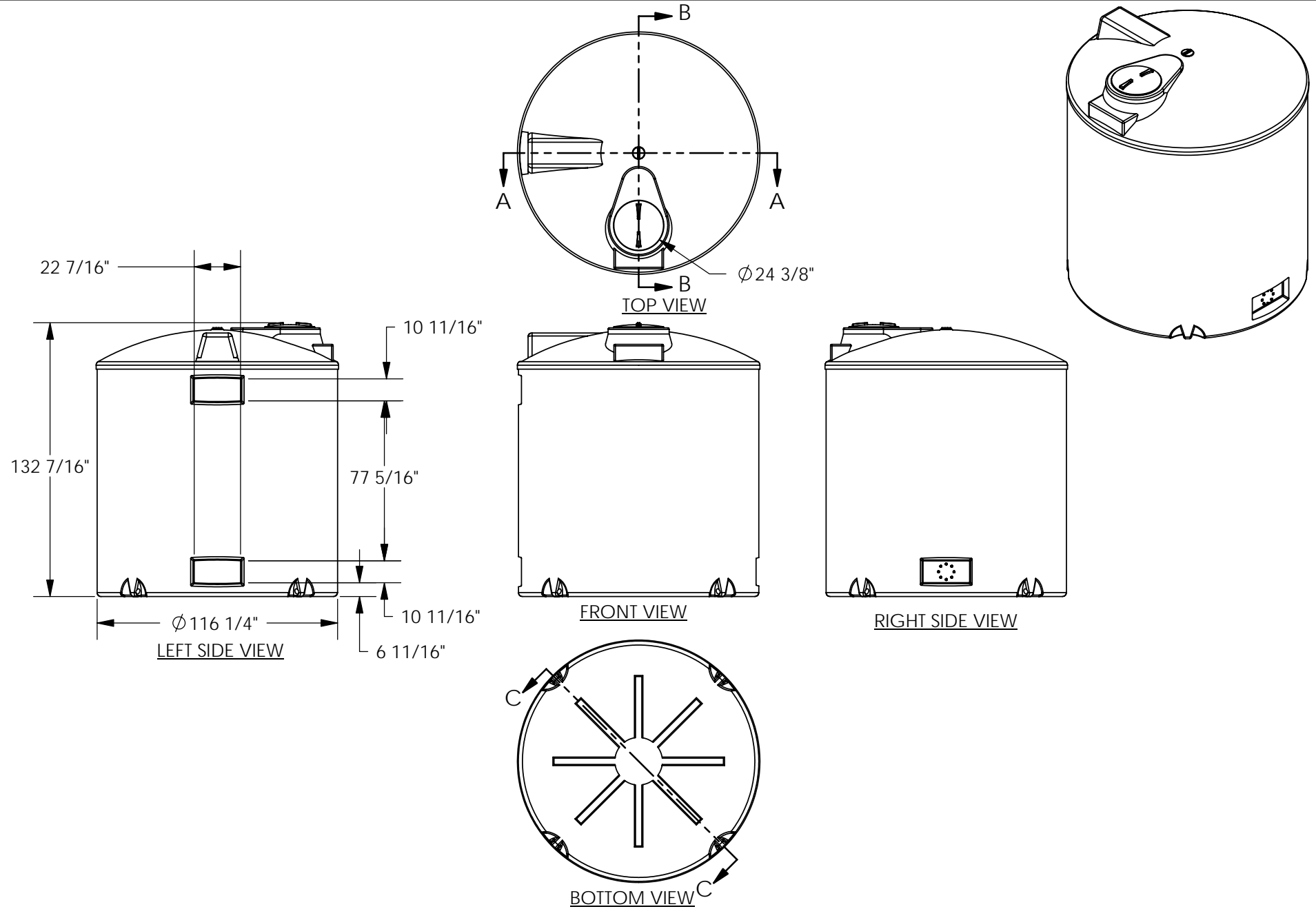


NOZZLE SELECTION		
SIZE	DESCRIPTION	LOCATION
2"	FEMALE PIPE THREAD STAINLESS STEEL BULKHEAD FITTING	SEE DRAWING FOR LOCATION OPTIONS
3"	FEMALE PIPE THREAD STAINLESS STEEL BULKHEAD FITTING	SEE DRAWING FOR LOCATION OPTIONS
4"	STAINLESS STEEL BULKHEAD ASSEMBLY	SEE DRAWING FOR LOCATION OPTIONS
6"	STAINLESS STEEL BULKHEAD ASSEMBLY	SEE DRAWING FOR LOCATION OPTIONS

PROPRIETARY AND CONFIDENTIAL THE INFORMATION CONTAINED IN THIS DRAWING IS THE SOLE PROPERTY OF QUALITY MOLDED PLASTICS LTD. ANY REPRODUCTION IN PART OR AS A WHOLE WITHOUT THE WRITTEN PERMISSION OF QUALITY MOLDED PLASTICS LTD. IS PROHIBITED.	CLIENT NAME: Q.M.P. CLIENT PART #: 60131-1	MATERIAL: HDPE	DATE: NOV/05/2006	DRAWN BY: JOSE H.	DESCRIPTION: TANK ASSY, 100 BBL, V/V	REV Y
	UNLESS OTHERWISE SPECIFIED:		DO NOT SCALE DRAWING		SCALE: 1:1	PART NO. 60131-1
	TOLERANCES: LENGTH DIMENSION: ± 1% ANGULAR: ± 1.0°	DIMENSIONS ARE IN INCHES	 QUALITY MOLDED PLASTICS LTD. P.O. Box 280, R.R.4 SASKATOON, SK S7K 3J7		SHEET 1 OF 3	



PROPRIETARY AND CONFIDENTIAL
 THE INFORMATION CONTAINED IN THIS DRAWING IS THE SOLE PROPERTY OF QUALITY MOLDED PLASTICS LTD. ANY REPRODUCTION IN PART OR AS A WHOLE WITHOUT THE WRITTEN PERMISSION OF QUALITY MOLDED PLASTICS LTD. IS PROHIBITED.

CLIENT NAME:
Q.M.P.

UNLESS OTHERWISE SPECIFIED:
 TOLERANCES:
 LENGTH DIMENSION: $\pm 0.5\%$
 ANGULAR: $\pm 1.0^\circ$

DIMENSIONS ARE IN INCHES

MATERIAL:
 HDPE

DATE:
 NOV/05/2006

DRAWN BY:
 JOSE H.

DESCRIPTION:
TANK ASSY, 100 BBL, V/V

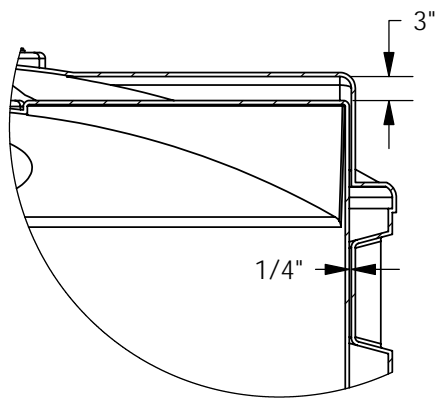
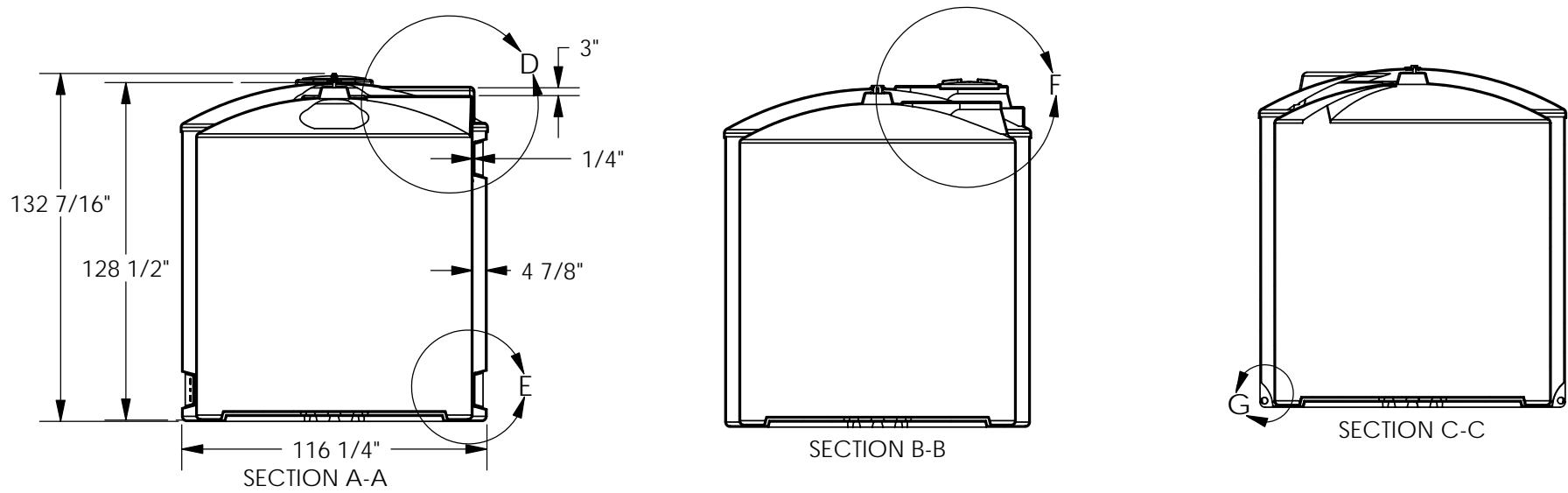
REV
0



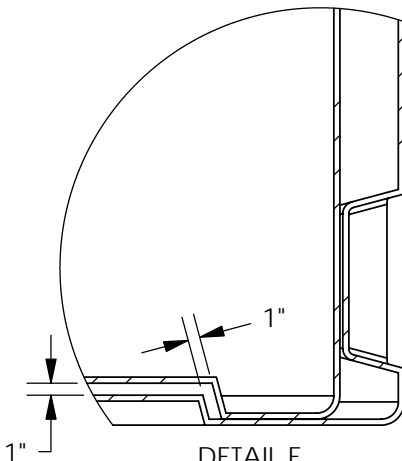
QUALITY MOLDED PLASTICS LTD.
 P.O. Box 280, R.R.4
 SASKATOON, SK S7K 3J7

SCALE: 1:64
 SHEET 2 OF 3

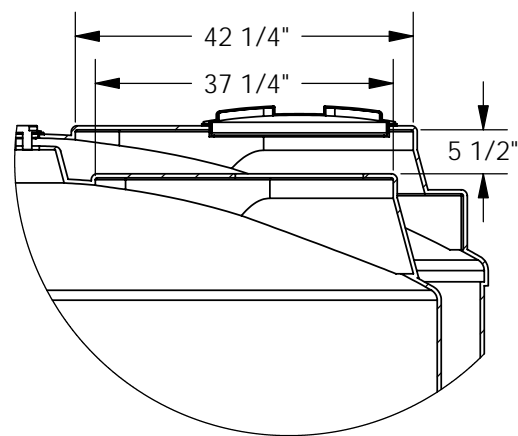
PART NO.
60131-1



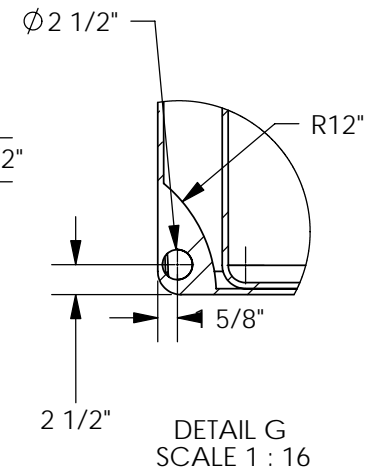
DETAIL D
SCALE 1 : 24



DETAIL E
SCALE 1 : 16



DETAIL F
SCALE 1 : 24



DETAIL G
SCALE 1 : 16

PROPRIETARY AND CONFIDENTIAL THE INFORMATION CONTAINED IN THIS DRAWING IS THE SOLE PROPERTY OF QUALITY MOLDED PLASTICS LTD. ANY REPRODUCTION IN PART OR AS A WHOLE WITHOUT THE WRITTEN PERMISSION OF QUALITY MOLDED PLASTICS LTD. IS PROHIBITED.	CLIENT NAME: Q.M.P.	MATERIAL: HDPE	DATE: NOV/05/2006	DRAWN BY: JOSE H.	DESCRIPTION: TANK ASSY, 100 BBL, V/V	REV 0
	UNLESS OTHERWISE SPECIFIED:		DO NOT SCALE DRAWING		SCALE: 1:64 SHEET 3 OF 3	PART NO. 60131-1
	TOLERANCES: LENGTH DIMENSION: ± 0.5% ANGULAR: ± 1.0°	DIMENSIONS ARE IN INCHES			QUALITY MOLDED PLASTICS LTD. P.O. Box 280, R.R.4 SASKATOON, SK S7K 3J7	