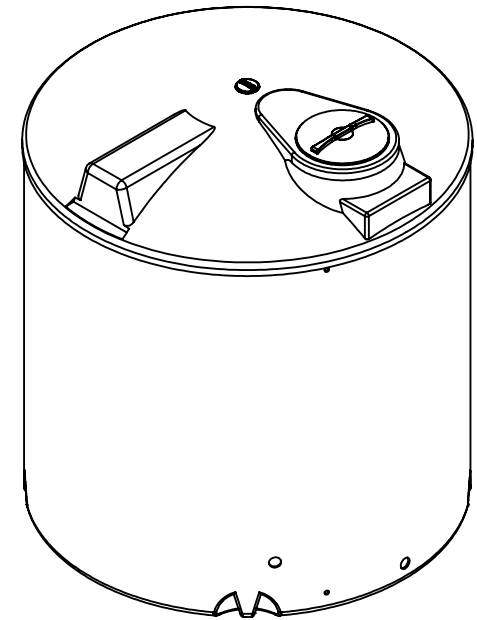


TOP VIEW

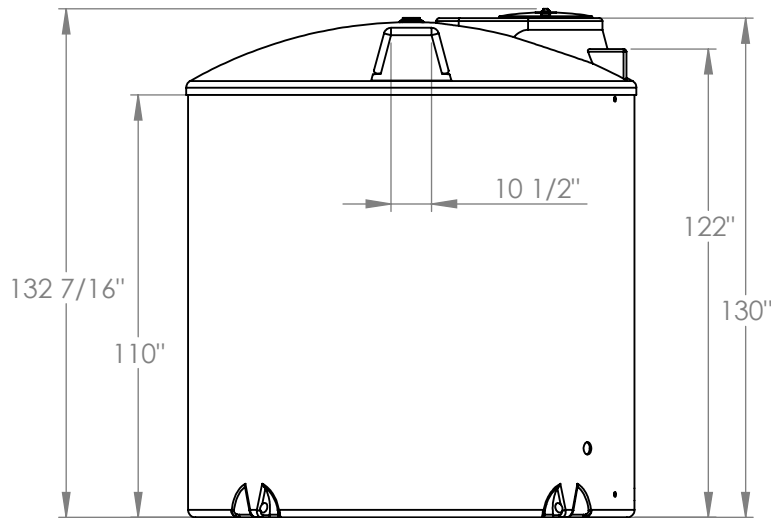
- NOTES:  
 - USE: 1.4SG  
 - WALL THICKNESS: 5/8"  
 - WEIGHT: 1,135 lb

WHITE TANK PART #60129-1  
 BLACK TANK PART #60129-0

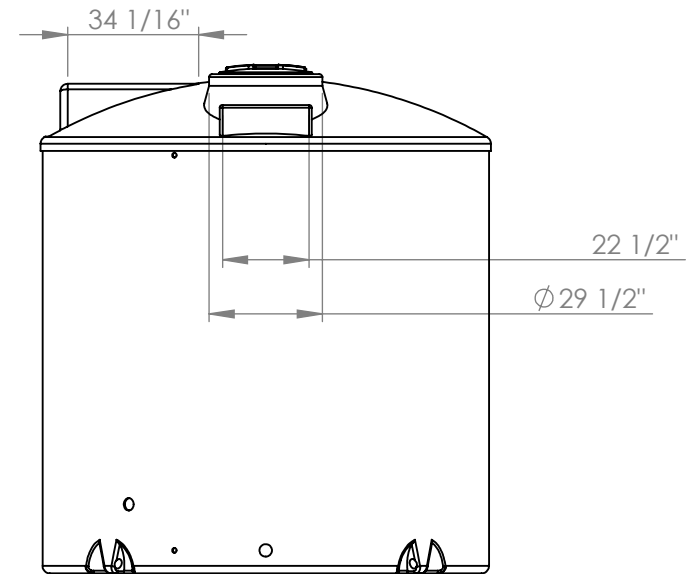
MAXIMUM APROX.  
 CAPACITY:  
 - 4,680 IMP. GAL.  
 - 5,620 US. GAL.  
 - 21,275 LITRES



ISOMETRIC VIEWS



FRONT VIEW



SIDE VIEW

Copyright © 2008 Quality Molded Plastics LTD.

**PROPRIETARY AND CONFIDENTIAL**  
 THE INFORMATION CONTAINED IN THIS DRAWING IS THE SOLE PROPERTY OF QUALITY MOLDED PLASTICS LTD. ANY REPRODUCTION IN PART OR AS A WHOLE WITHOUT THE WRITTEN PERMISSION OF QUALITY MOLDED PLASTICS LTD. IS PROHIBITED.

CLIENT NAME:  
 Q.M.P.  
 APPROXIMATE WEIGHT (lb): 1135  
**UNLESS OTHERWISE SPECIFIED:**  
 --- TOLERANCES ---  
 LENGTH DIMENSION: ± 1%  
 ANGULAR: ± 1.0°  
 DIMENSIONS ARE IN INCHES

MATERIAL:  
 HDPE  
 DATE:  
 FEB 6, 2019  
 DRAWN BY:  
 S. APPLETON  
**QMP QUALITY MOLDED PLASTICS LTD.**  
 Site 412, P.O. Box 280, R.R.#4  
 SASKATOON, SK S7K 3J7

DESCRIPTION:  
**TANK, 4680 GAL, FLAT BOTTOM, WHT**  
 SCALE: 1:50  
 SHEET 1 OF 1  
 PART NO.  
**60129-1**

REV  
**Y**

DO NOT SCALE DRAWING