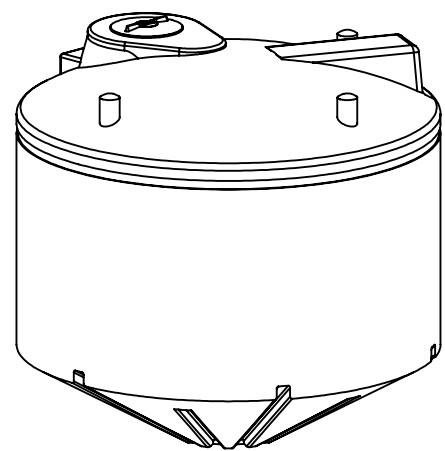
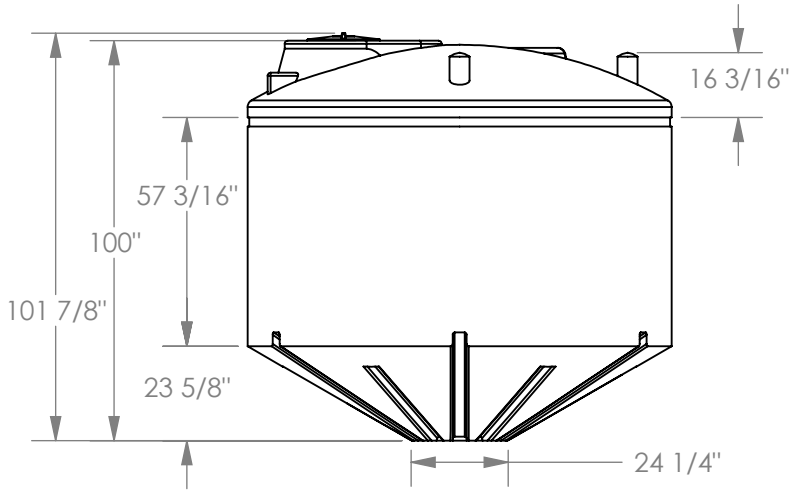


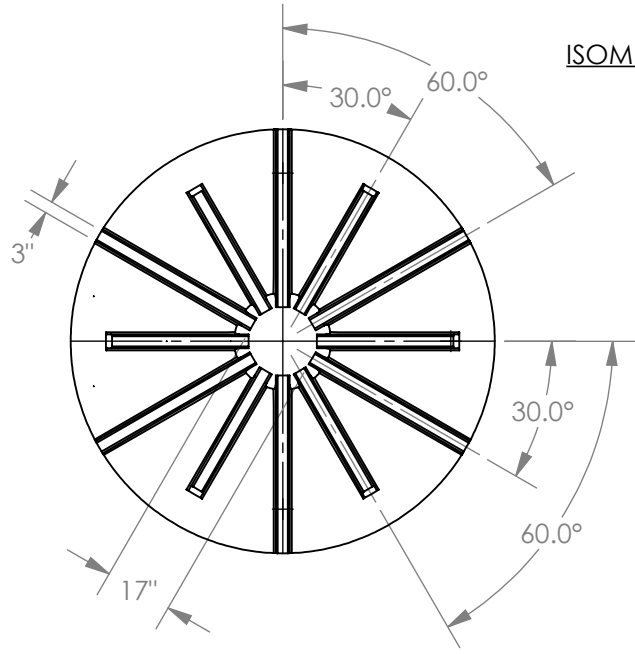
TOP VIEW



ISOMETRIC VIEW



FRONT VIEW



BOTTOM VIEW

Copyright © 2006 Quality Molded Plastics LTD.

PROPRIETARY AND CONFIDENTIAL THE INFORMATION CONTAINED IN THIS DRAWING IS THE SOLE PROPERTY OF QUALITY MOLDED PLASTICS LTD. ANY REPRODUCTION IN PART OR AS A WHOLE WITHOUT THE WRITTEN PERMISSION OF QUALITY MOLDED PLASTICS LTD. IS PROHIBITED.	CLIENT NAME: QMP	MATERIAL: LLDPE	DATE: MAY 4, 2020	DRAWN BY: S.APPLETON	DESCRIPTION: TANK, 2290 GAL, 30 DEG, CB	REV Y
	CLIENT PART #: .	DO NOT SCALE DRAWING				
	UNLESS OTHERWISE SPECIFIED:		QMP		SCALE: 1:48 SHEET 1 OF 1	PART NO. 60127-1
TOLERANCES: LENGTH DIMENSION: ± 1% ANGULAR: ± 1.0°		DIMENSIONS ARE IN INCHES		QUALITY MOLDED PLASTICS LTD. Site 412, P.O. Box 280, R.R.#4 SASKATOON, SK S7K 3J7		