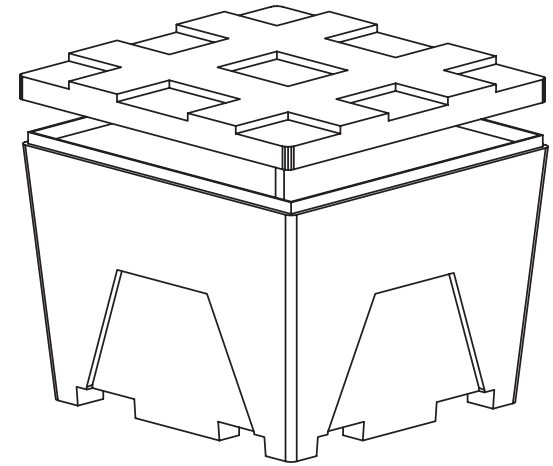
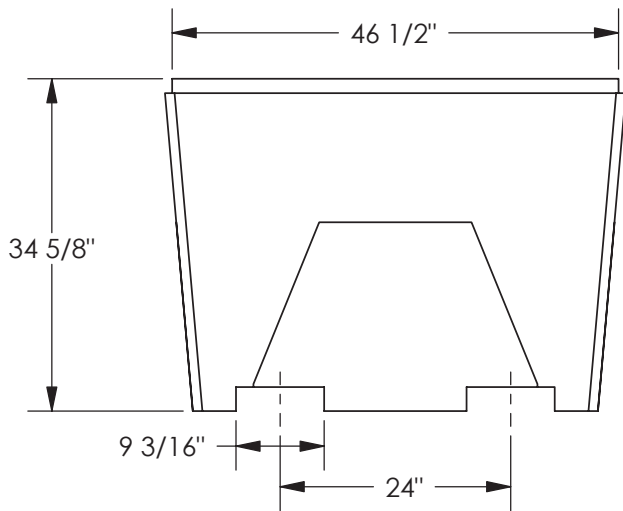


TOP VIEW

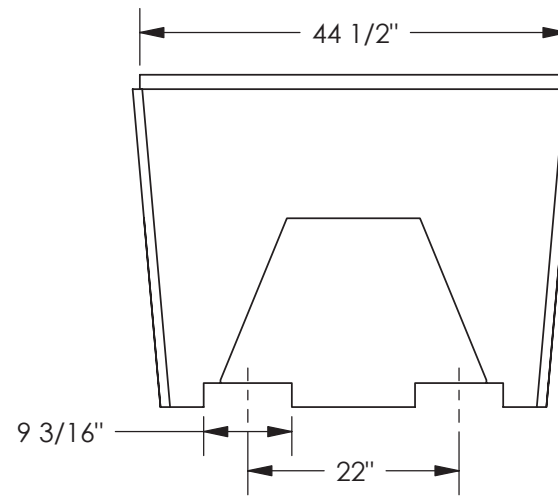


ISOMETRIC VIEW

NOTE: CONTAINERS ARE STACKABLE AND LID IS INCLUDED.



FRONT VIEW
(SHOWN WITHOUT LID)



SIDE VIEW
(SHOWN WITHOUT LID)

Copyright © 2006 Quality Molded Plastics LTD.

PROPRIETARY AND CONFIDENTIAL THE INFORMATION CONTAINED IN THIS DRAWING IS THE SOLE PROPERTY OF QUALITY MOLDED PLASTICS LTD. ANY REPRODUCTION IN PART OR AS A WHOLE WITHOUT THE WRITTEN PERMISSION OF QUALITY MOLDED PLASTICS LTD. IS PROHIBITED.	CLIENT NAME: QUALITY MOLDED PLASTICS CLIENT PART #: 60109-1	MATERIAL: LLDPE 8460	DATE: Nov. 24, 2006	DRAWN BY: JOSE H.	DESCRIPTION: SHIPPING BOX, NATURAL	REV 0
	UNLESS OTHERWISE SPECIFIED: TOLERANCES: LENGTH DIMENSION: ± 1% ANGULAR: ± 1.0°		DIMENSIONS ARE IN INCHES		SCALE: 1:1 SHEET 1 OF 1	PART NO. 60109-1



QUALITY MOLDED PLASTICS LTD.
 Site 412, P.O. Box 280, R.R.#4
 SASKATOON, SK S7K 3J7