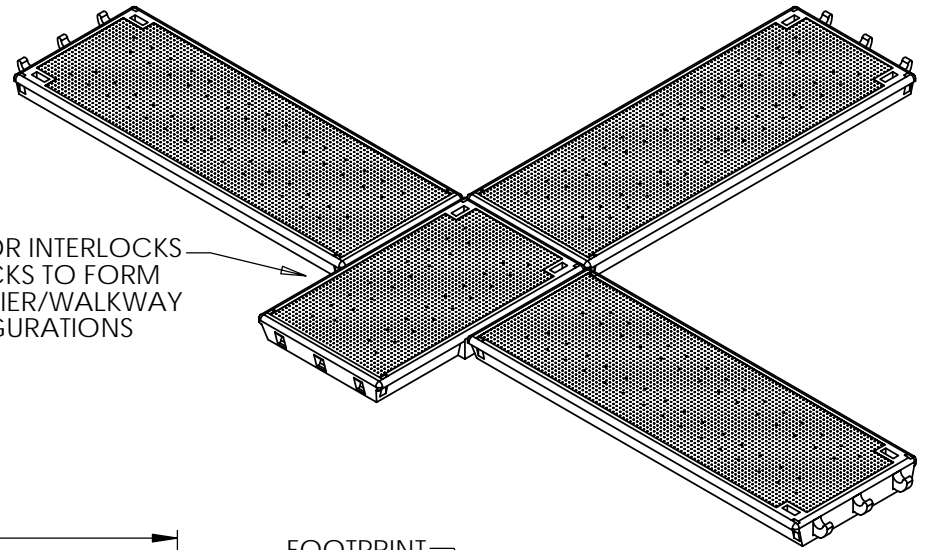
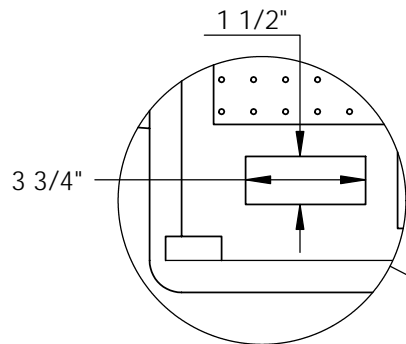


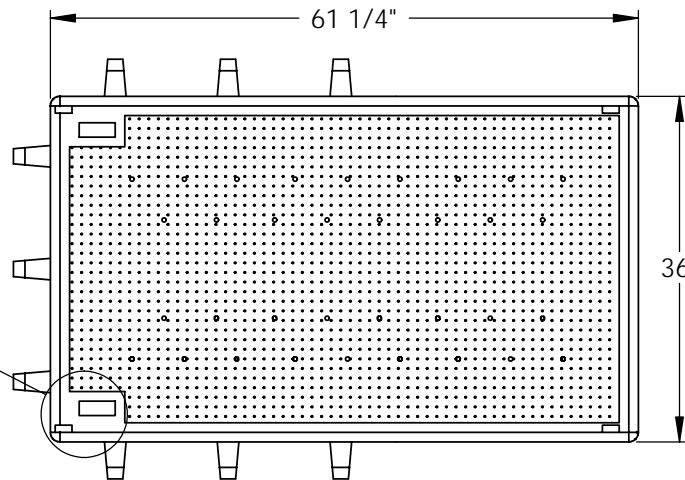
ISOMETRIC VIEWS



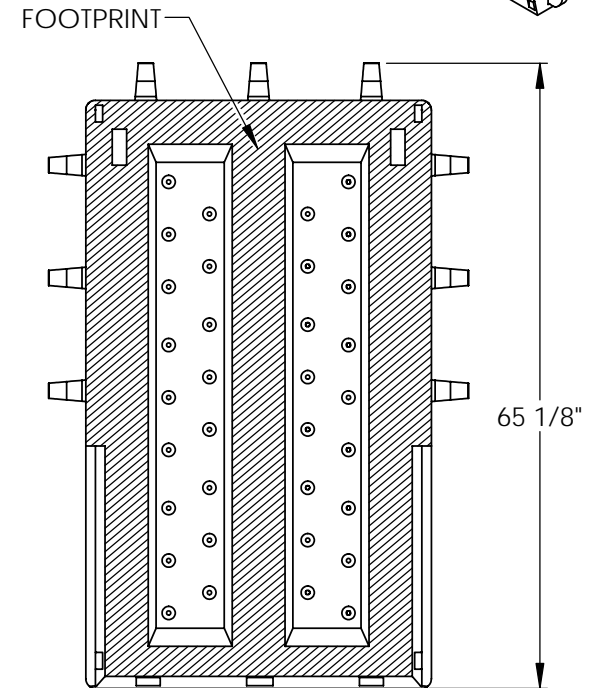
CONNECTOR INTERLOCKS WITH DOCKS TO FORM DIFFERENT PIER/WALKWAY CONFIGURATIONS



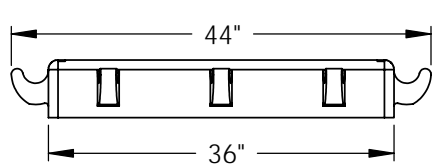
DETAIL VIEW



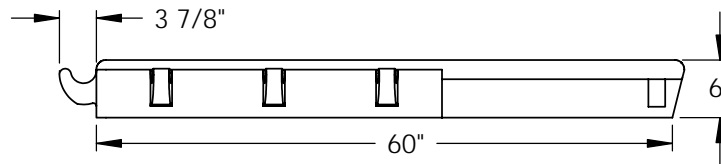
TOP VIEW



BOTTOM VIEW



SIDE VIEW



FRONT VIEW

Copyright © 2008 Quality Molded Plastics LTD.

PROPRIETARY AND CONFIDENTIAL THE INFORMATION CONTAINED IN THIS DRAWING IS THE SOLE PROPERTY OF QUALITY MOLDED PLASTICS LTD. ANY REPRODUCTION IN PART OR AS A WHOLE WITHOUT THE WRITTEN PERMISSION OF QUALITY MOLDED PLASTICS LTD. IS PROHIBITED.	CLIENT NAME: Q.M.P.	MATERIAL: LLDPE	DATE: OCT/29/2009	DRAWN BY: JOSE H.	DESCRIPTION: CONNECTOR, PIER/DOCK, RGR	REV
	APPROXIMATE WEIGHT (lb): 44	DO NOT SCALE DRAWING			SCALE: 1:20	PART NO.
	UNLESS OTHERWISE SPECIFIED:		QUALITY MOLDED PLASTICS LTD. Site 412, P.O. Box 280, R.R.#4 SASKATOON, SK S7K 3J7		SHEET 1 OF 1	60107-1
--- TOLERANCES --- LENGTH DIMENSION: ± 1% ANGULAR: ± 1.0°	DIMENSIONS ARE IN INCHES					