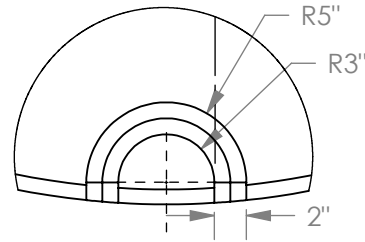
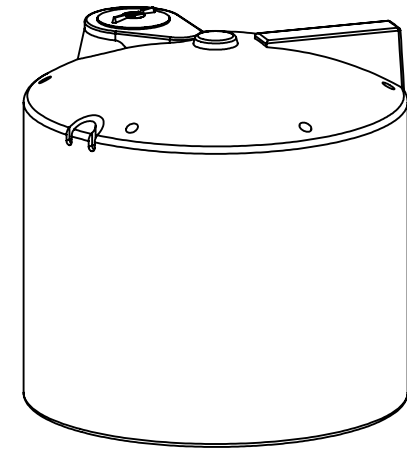


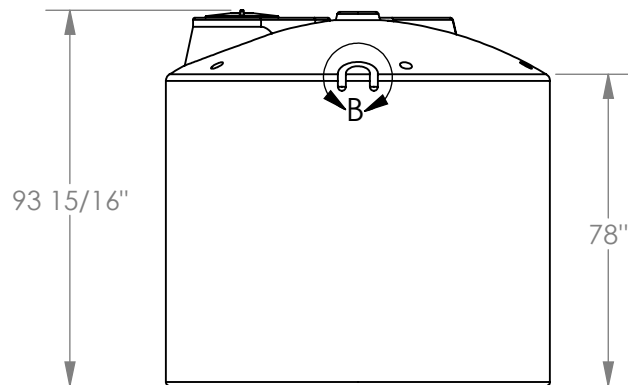
TOP VIEW



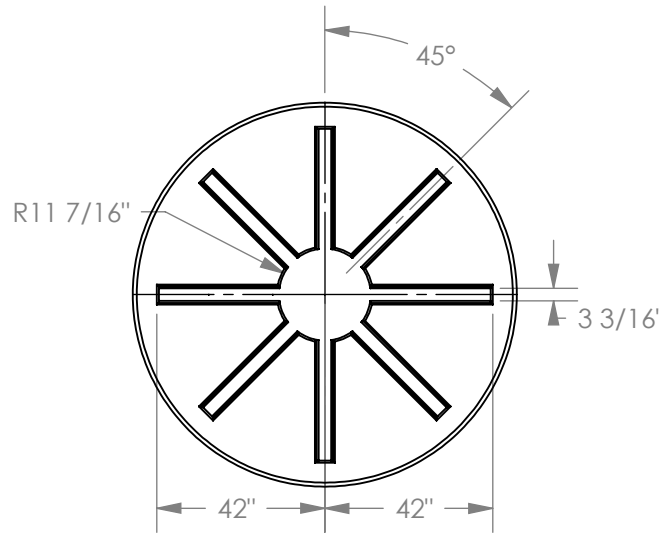
DETAIL A  
SCALE 1 : 12



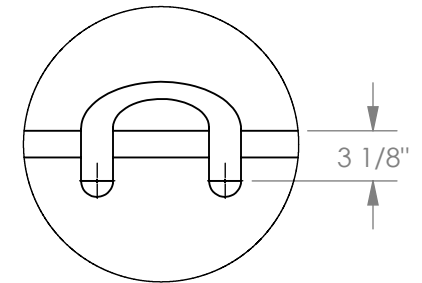
ISOMETRIC VIEW



FRONT VIEW



BOTTOM VIEW



DETAIL B  
SCALE 1 : 12

**NOTES (APPROX):**

CAPACITY:  
2150 IMP. GAL  
2580 US GAL  
9770 LITRES

WHITE TANK PART #60105-1  
BLACK TANK PART #60178-1

Copyright © 2006 Quality Molded Plastics LTD.

**PROPRIETARY AND CONFIDENTIAL**  
THE INFORMATION CONTAINED IN THIS DRAWING IS THE SOLE PROPERTY OF QUALITY MOLDED PLASTICS LTD. ANY REPRODUCTION IN PART OR AS A WHOLE WITHOUT THE WRITTEN PERMISSION OF QUALITY MOLDED PLASTICS LTD. IS PROHIBITED.

CLIENT NAME:  
QMP

CLIENT PART #:

**UNLESS OTHERWISE SPECIFIED:**

TOLERANCES:  
LENGTH DIMENSION: ± 1%  
ANGULAR: ± 1.0°

DIMENSIONS ARE  
IN INCHES

MATERIAL:  
LLDPE 8460

DATE:  
APRIL 28, 2020

DRAWN BY:  
S.APPLETON

DESCRIPTION:

**TANK, 2150 IMP. GAL, FLATBOTTOM**

REV

DO NOT SCALE DRAWING



**QUALITY MOLDED PLASTICS LTD.**  
Site 412, P.O. Box 280, R.R.#4  
SASKATOON, SK S7K 3J7

SCALE: 1:48  
SHEET 1 OF 1

PART NO.

**60105-1**