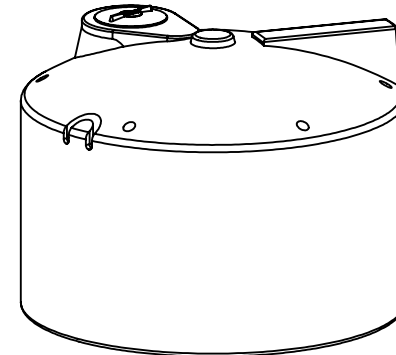
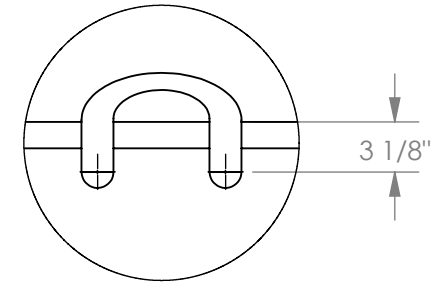


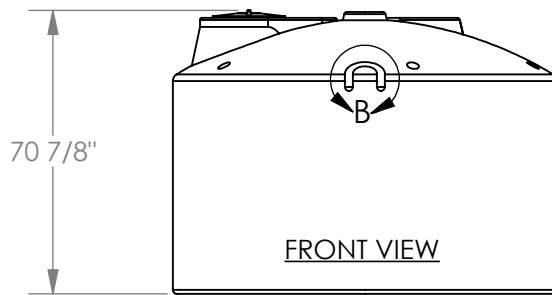
DETAIL A
SCALE 1 : 12



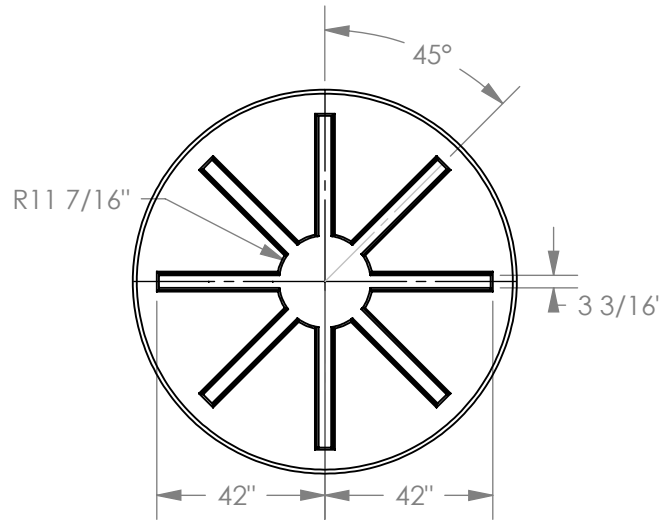
ISOMETRIC VIEW



DETAIL B
SCALE 1 : 12



FRONT VIEW



BOTTOM VIEW

NOTES (APPROX):

CAPACITY:
1600 IMP. GAL
1920 US GAL
7268 LITRES

WHITE TANK PART #60104-1
BLACK TANK PART #60183-1

Copyright © 2006 Quality Molded Plastics LTD.

PROPRIETARY AND CONFIDENTIAL
THE INFORMATION CONTAINED IN THIS DRAWING IS THE SOLE PROPERTY OF QUALITY MOLDED PLASTICS LTD. ANY REPRODUCTION IN PART OR AS A WHOLE WITHOUT THE WRITTEN PERMISSION OF QUALITY MOLDED PLASTICS LTD. IS PROHIBITED.

CLIENT NAME:
QMP

CLIENT PART #:

UNLESS OTHERWISE SPECIFIED:

TOLERANCES:
LENGTH DIMENSION: ± 1%
ANGULAR: ± 1.0°

DIMENSIONS ARE
IN INCHES

MATERIAL:
LLDPE

DATE:
APRIL 27, 2020

DRAWN BY:
S.APPLETON

DESCRIPTION:

TANK, 1600 IMP. GAL, FLAT BOTTOM

REV

DO NOT SCALE DRAWING



QUALITY MOLDED PLASTICS LTD.
Site 412, P.O. Box 280, R.R.#4
SASKATOON, SK S7K 3J7

SCALE: 1:48
SHEET 1 OF 1

PART NO.

60104-01