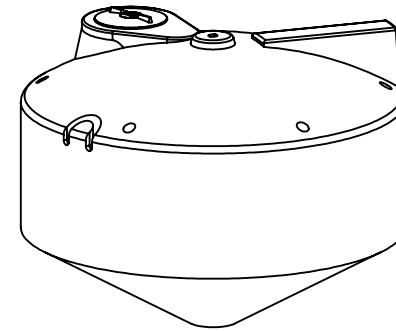
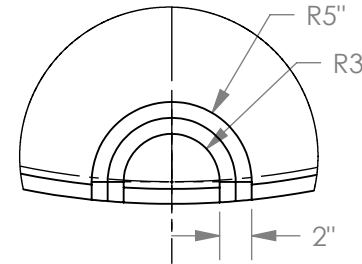


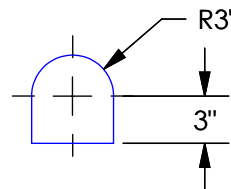
TOP VIEW



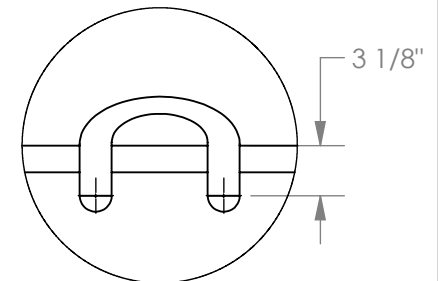
ISOMETRIC VIEW



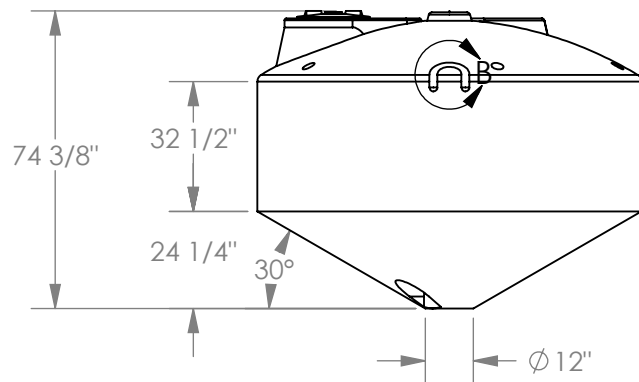
DETAIL A  
SCALE 1 : 12



BOTTOM FLATSPOT



DETAIL B  
SCALE 1 : 12



FRONT VIEW

Copyright © 2006 Quality Molded Plastics LTD.

**PROPRIETARY AND CONFIDENTIAL**  
THE INFORMATION CONTAINED IN THIS DRAWING IS THE SOLE PROPERTY OF QUALITY MOLDED PLASTICS LTD. ANY REPRODUCTION IN PART OR AS A WHOLE WITHOUT THE WRITTEN PERMISSION OF QUALITY MOLDED PLASTICS LTD. IS PROHIBITED.

CLIENT NAME:  
Q.M.P.

CLIENT PART #: 60090-1

**UNLESS OTHERWISE SPECIFIED:**

TOLERANCES:  
LENGTH DIMENSION: ± 1%  
ANGULAR: ± 1.0°

DIMENSIONS ARE  
IN INCHES

MATERIAL:  
LLDPE

DATE:  
DE/08/2009

DRAWN BY:  
JOSE H.

DO NOT SCALE DRAWING

DESCRIPTION:

**TANK, 1300 GAL, 30 DEG, CB**

REV  
**Y**



**QUALITY MOLDED PLASTICS LTD.**  
Site 412, P.O. Box 280, R.R.#4  
SASKATOON, SK S7K 3J7

SCALE: 1:48  
SHEET 1 OF 1

PART NO.

**60090-1**