

22" VENTED LID
Part# 30025-1

650 imp gal
LEG TANK (TOP)
Part# 60087

650 imp gal
LEG TANK (BOTTOM)
Part# 60087

420 imp gal DUAL WALL
LEG TANK ASSEMBLY
Part# 60088

Copyright © 2006 Quality Molded Plastics LTD.

PROPRIETARY AND CONFIDENTIAL

THE INFORMATION CONTAINED IN THIS DRAWING IS THE SOLE PROPERTY OF QUALITY MOLDED PLASTICS LTD. ANY REPRODUCTION IN PART OR AS A WHOLE WITHOUT THE WRITTEN PERMISSION OF QUALITY MOLDED PLASTICS LTD. IS PROHIBITED.

CLIENT NAME:
Q.M.P.

CLIENT PART #: 60088-1

UNLESS OTHERWISE SPECIFIED:

TOLERANCES:
LENGTH DIMENSION: ± 1%
ANGULAR: ± 1.0°

DIMENSIONS ARE
IN INCHES

MATERIAL:
LLDPE

DATE:
FEB/27/2008

DRAWN BY:
JOSE H.

DO NOT SCALE DRAWING

DESCRIPTION:

TANK ASSY, 420 GAL LEG TANK

REV
Y

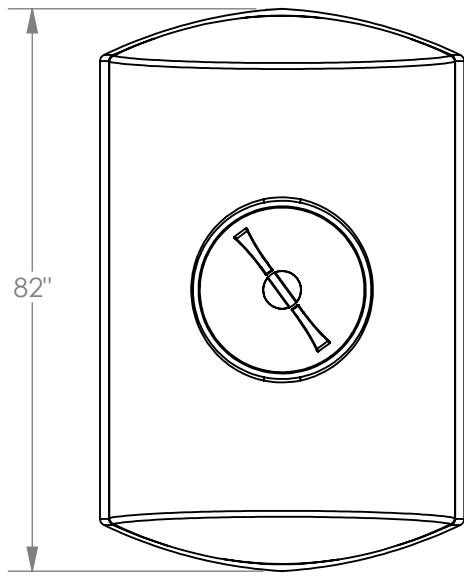


QUALITY MOLDED PLASTICS LTD.
Site 412, P.O. Box 280, R.R.#4
SASKATOON, SK S7K 3J7

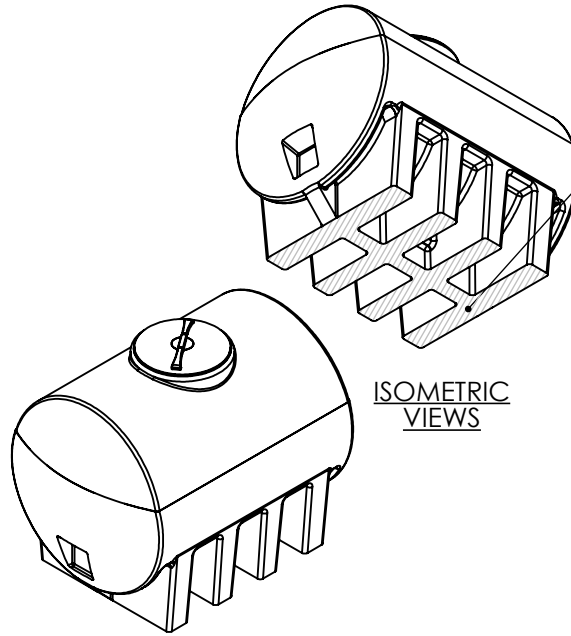
SCALE: 1:48
SHEET 1 OF 2

PART NO.

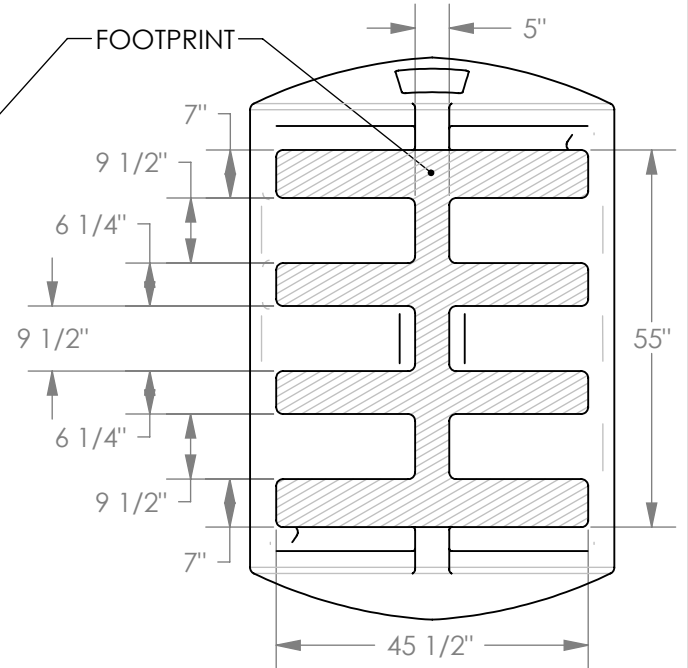
60088-2



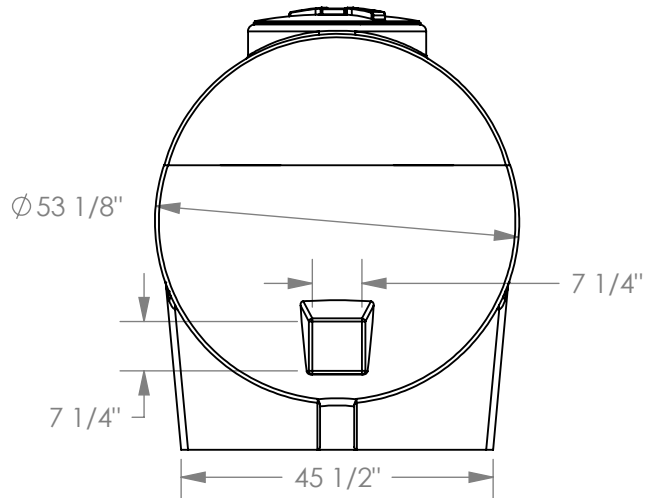
TOP VIEW



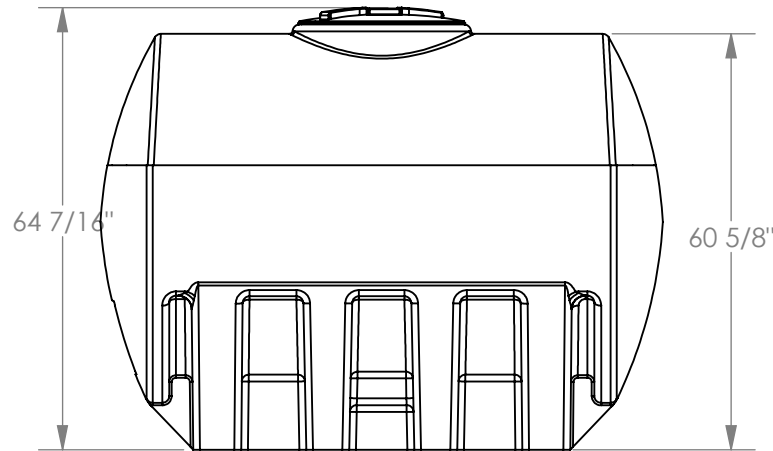
ISOMETRIC VIEWS



BOTTOM VIEW



FRONT VIEW



SIDE VIEW

PROPRIETARY AND CONFIDENTIAL
 THE INFORMATION CONTAINED IN THIS DRAWING IS THE SOLE PROPERTY OF QUALITY MOLDED PLASTICS LTD. ANY REPRODUCTION IN PART OR AS A WHOLE WITHOUT THE WRITTEN PERMISSION OF QUALITY MOLDED PLASTICS LTD. IS PROHIBITED.

CLIENT NAME:

Q.M.P.

MATERIAL:
 LLDPE

DATE:
 FEB/27/2008

DRAWN BY:
 JOSE H.

DESCRIPTION:

TANK ASSY, 420 GAL LEG TANK

REV

Y

UNLESS OTHERWISE SPECIFIED:

TOLERANCES:
 LENGTH DIMENSION: ± 0.5%
 ANGULAR: ± 1.0°

DIMENSIONS ARE
 IN INCHES



QUALITY MOLDED PLASTICS LTD.
 P.O. Box 280, R.R.4
 SASKATOON, SK S7K 3J7

SCALE: 1:48
 SHEET 2 OF 2

PART NO.

60088-2