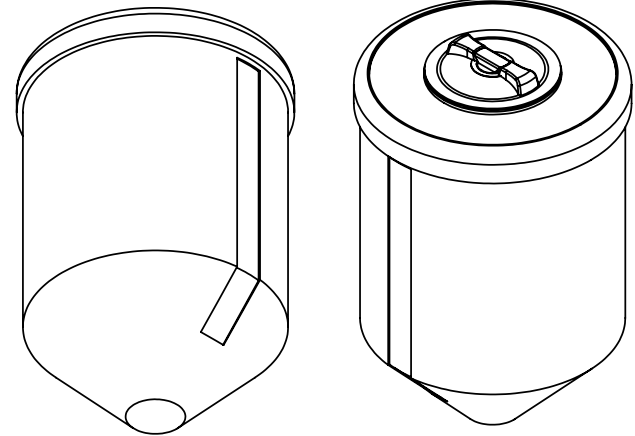
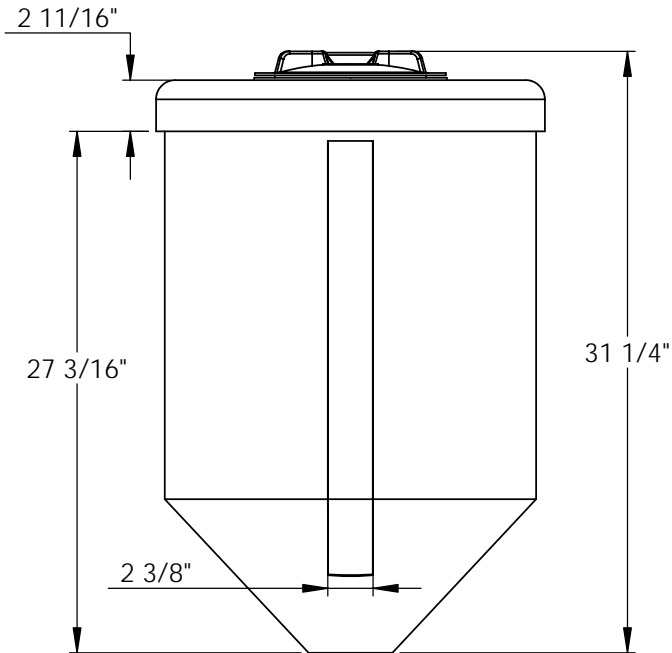


TOP VIEW

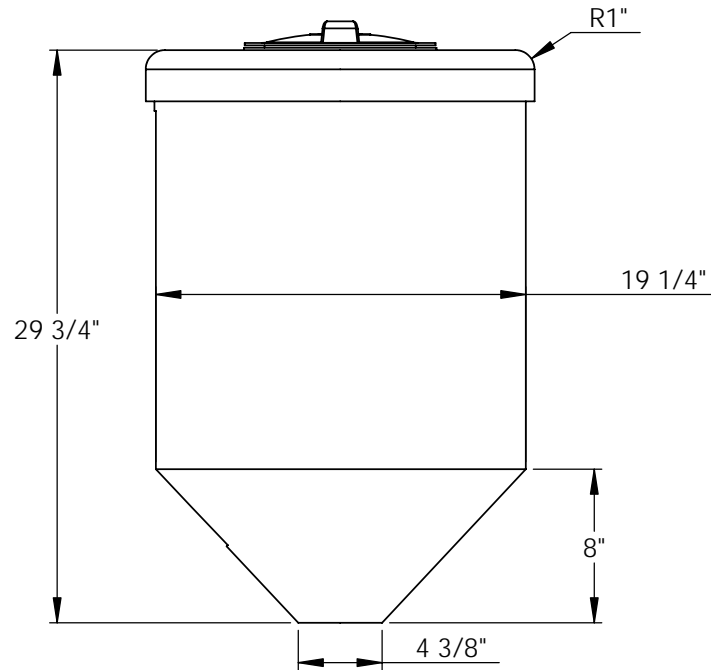
NOTES (APPROX):  
 WALL THICKNESS: 0.175"  
 CAPACITY:  
 25.68 imp gal  
 30.84 u.s. gal



ISOMETRIC VIEWS



FRONT VIEW



SIDE VIEW

Copyright © 2008 Quality Molded Plastics LTD.

|  |   |  |                      |                      |   |                 |
|--|---|--|----------------------|----------------------|---|-----------------|
| <b>PROPRIETARY AND CONFIDENTIAL</b><br>THE INFORMATION CONTAINED IN THIS DRAWING IS THE SOLE PROPERTY OF QUALITY MOLDED PLASTICS LTD. ANY REPRODUCTION IN PART OR AS A WHOLE WITHOUT THE WRITTEN PERMISSION OF QUALITY MOLDED PLASTICS LTD. IS PROHIBITED. | CLIENT NAME:<br><b>Q.M.P.</b>                                   | MATERIAL:<br>LLDPE   | DATE:<br>JUL/21/2009 | DRAWN BY:<br>JOSE H. | DESCRIPTION:<br><b>TANK, 20 GAL, CB, 8" LID</b> | REV<br><b>Y</b> |
|  | APPROXIMATE WEIGHT (lb): 13.5                                   | DO NOT SCALE DRAWING   |                      |                      |   |                 |
|  | <b>UNLESS OTHERWISE SPECIFIED:</b>                              |  | <b>QMP</b>           |                      | SCALE: 1:20                                     | PART NO.        |
|  | --- TOLERANCES ---<br>LENGTH DIMENSION: ± 1%<br>ANGULAR: ± 1.0° | DIMENSIONS ARE IN INCHES   |                      |                      | SHEET 1 OF 1                                    | <b>60077-2</b>  |
|  |   | <b>QUALITY MOLDED PLASTICS LTD.</b><br>Site 412, P.O. Box 280, R.R.#4<br>SASKATOON, SK S7K 3J7 |                      |                      |   |                 |