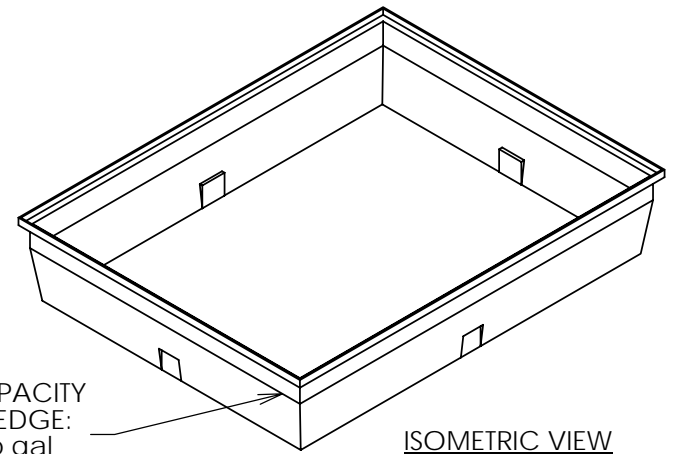
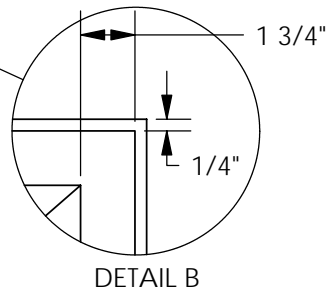
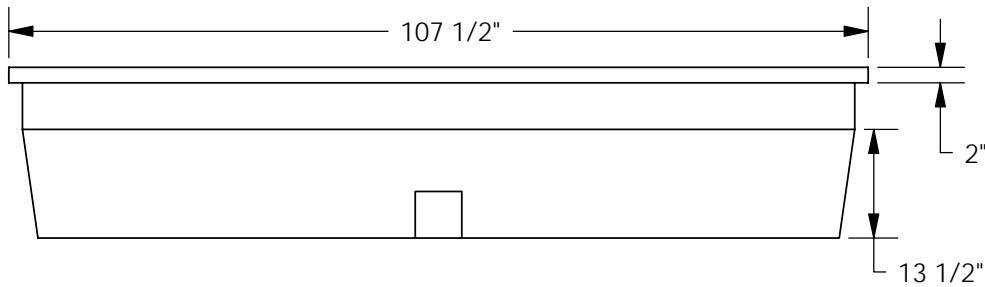


TOP VIEW

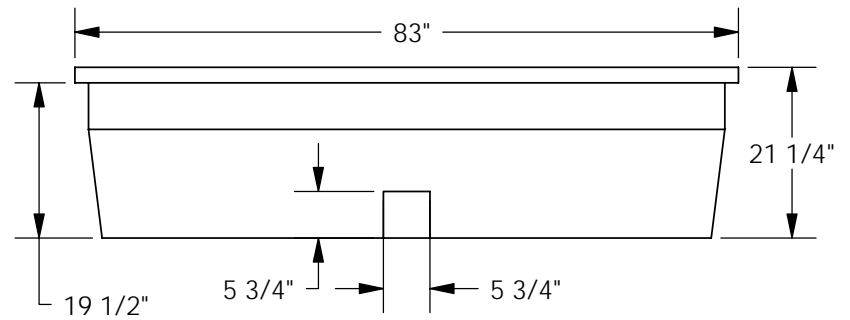


APPROX. CAPACITY
UP TO THIS EDGE:
372.50 imp gal
447.35 U.S. gal

APPROX. TOTAL CAPACITY:
603.80 imp gal
725.13 U.S. gal




FRONT VIEW



SIDE VIEW

Copyright © 2008 Quality Molded Plastics LTD.

PROPRIETARY AND CONFIDENTIAL THE INFORMATION CONTAINED IN THIS DRAWING IS THE SOLE PROPERTY OF QUALITY MOLDED PLASTICS LTD. ANY REPRODUCTION IN PART OR AS A WHOLE WITHOUT THE WRITTEN PERMISSION OF QUALITY MOLDED PLASTICS LTD. IS PROHIBITED.	CLIENT NAME: Q.M.P.	MATERIAL: LLDPE	DATE: MAR/10/2009	DRAWN BY: JOSE H.	DESCRIPTION: TRAY, SPILL, 84x108x20"	REV Y
	APPROXIMATE WEIGHT (lb): 197.5	DO NOT SCALE DRAWING				
	UNLESS OTHERWISE SPECIFIED:		 QUALITY MOLDED PLASTICS LTD. Site 412, P.O. Box 280, R.R.#4 SASKATOON, SK S7K 3J7		SCALE: 1:48	PART NO.
	--- TOLERANCES --- LENGTH DIMENSION: ± 1% ANGULAR: ± 1.0°	DIMENSIONS ARE IN INCHES			SHEET 1 OF 1	60073-1