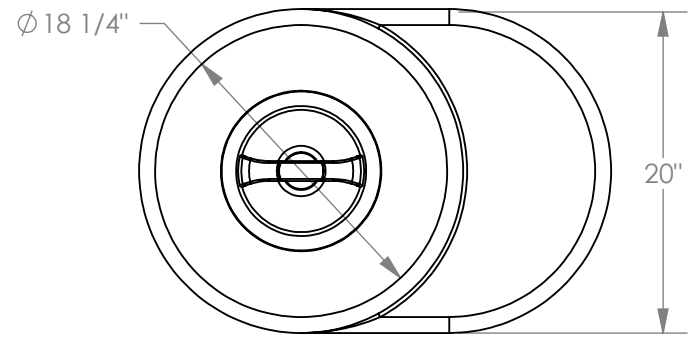


FRONT VIEW

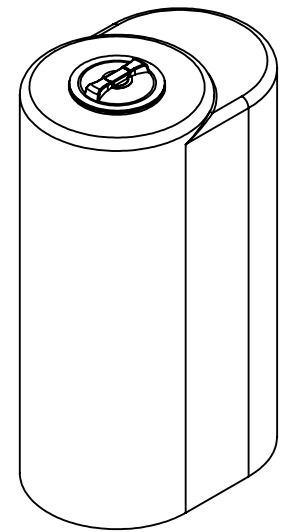


TOP VIEW

NOTES (APPROX):


WALL THICKNESS: 3/16"

CAPACITY:
85 IMP. GAL
102 U.S. GAL
386 LITRE



ISOMETRIC VIEW

Copyright © 2008 Quality Molded Plastics LTD.

PROPRIETARY AND CONFIDENTIAL THE INFORMATION CONTAINED IN THIS DRAWING IS THE SOLE PROPERTY OF QUALITY MOLDED PLASTICS LTD. ANY REPRODUCTION IN PART OR AS A WHOLE WITHOUT THE WRITTEN PERMISSION OF QUALITY MOLDED PLASTICS LTD. IS PROHIBITED.	CLIENT NAME: Q.M.P.	MATERIAL: LLDPE	DATE: DEC/06/2019	DRAWN BY: S.APPLETON	DESCRIPTION: TANK, 102 US GAL OVAL VERT TANK	REV 1
	APPROXIMATE WEIGHT (lb): 32	DO NOT SCALE DRAWING			SCALE: 1:32	PART NO.
	UNLESS OTHERWISE SPECIFIED:		 QUALITY MOLDED PLASTICS LTD. Site 412, P.O. Box 280, R.R.#4 SASKATOON, SK S7K 3J7		SHEET 1 OF 1	60068-2
	--- TOLERANCES --- LENGTH DIMENSION: ± 1% ANGULAR: ± 1.0°	DIMENSIONS ARE IN INCHES				