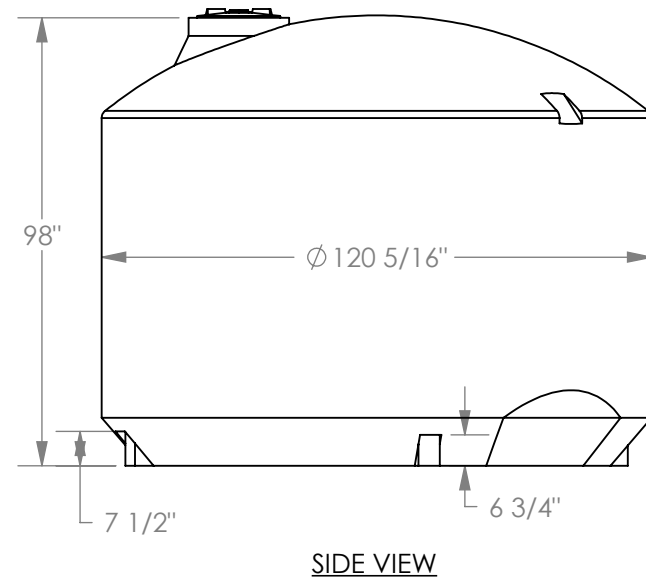
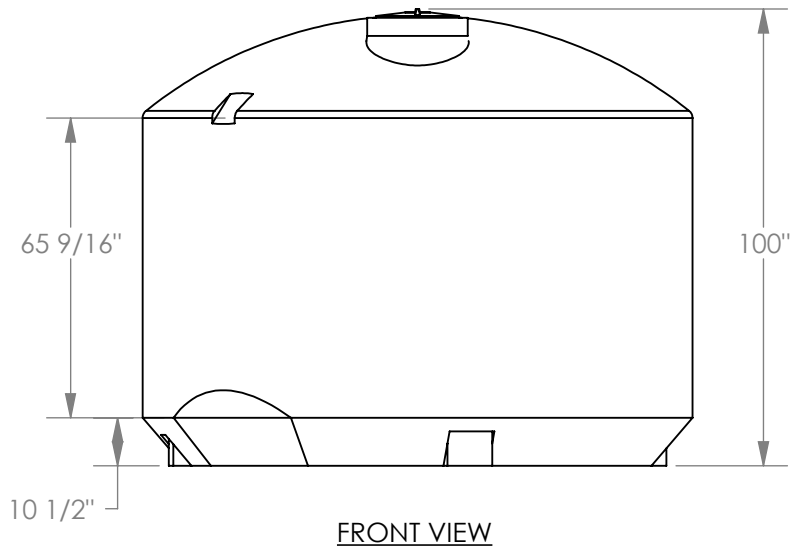


NOTES (APPROX):
 WALL THICKNESS: 7/16"
 CAPACITY:
 3481 IMP. GAL.
 4180.87 US GAL.

WHITE TANK PART #60065-2
 BLACK TANK PART #60186-1



Copyright © 2008 Quality Molded Plastics LTD.

PROPRIETARY AND CONFIDENTIAL THE INFORMATION CONTAINED IN THIS DRAWING IS THE SOLE PROPERTY OF QUALITY MOLDED PLASTICS LTD. ANY REPRODUCTION IN PART OR AS A WHOLE WITHOUT THE WRITTEN PERMISSION OF QUALITY MOLDED PLASTICS LTD. IS PROHIBITED.	CLIENT NAME: Q.M.P.	MATERIAL: LLDPE	DATE: JAN/28/2010	DRAWN BY: JOSE H.	DESCRIPTION: TANK,3400 GAL,VERT,HW	REV Y
	APPROXIMATE WEIGHT (lb): 790	DO NOT SCALE DRAWING				
	UNLESS OTHERWISE SPECIFIED:		QMP		SCALE: 1:64 SHEET 1 OF 2	
	--- TOLERANCES --- LENGTH DIMENSION: ± 1% ANGULAR: ± 1.0°	DIMENSIONS ARE IN INCHES				