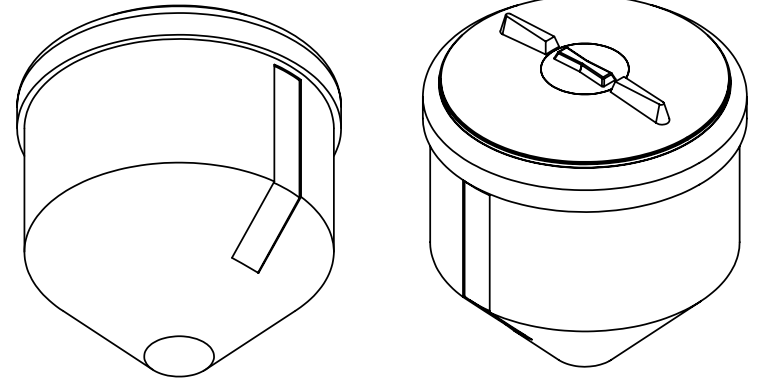


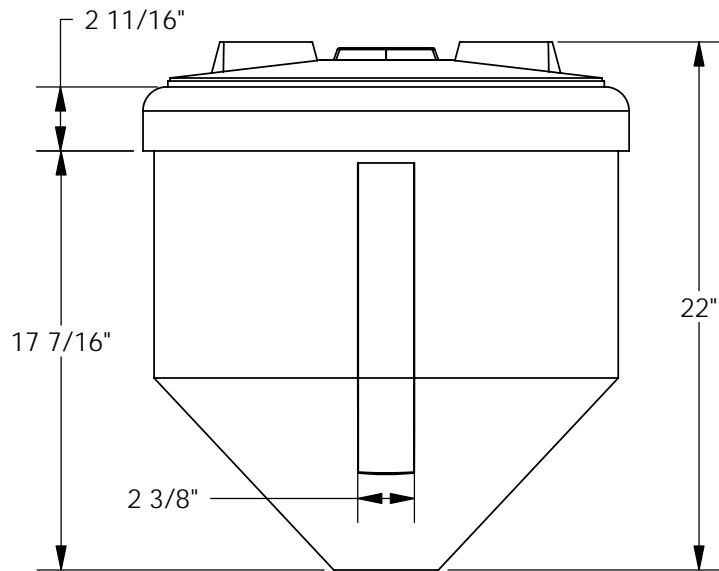
TOP VIEW



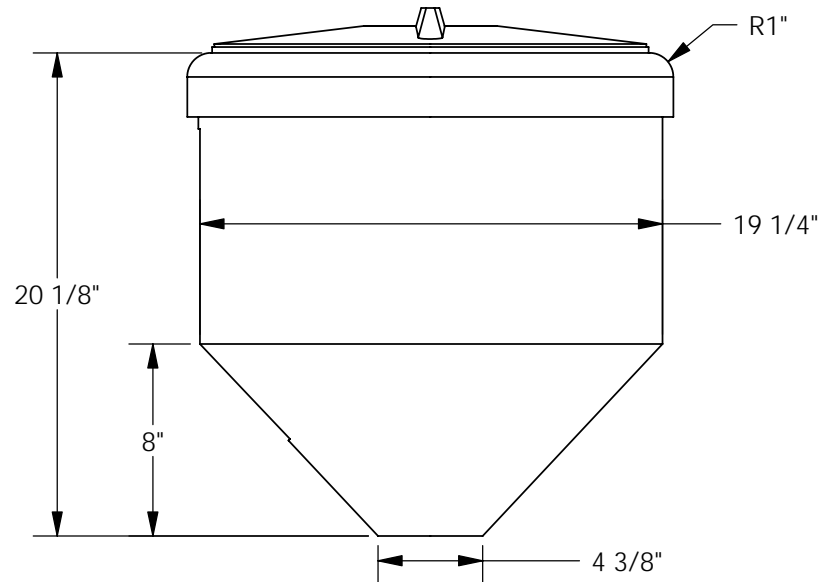
ISOMETRIC VIEWS

NOTES (APPROX):

WALL THICKNESS: 0.15"  
 CAPACITY:  
 15.91 imp gal  
 19.10 u.s. gal



FRONT VIEW



SIDE VIEW

Copyright © 2008 Quality Molded Plastics LTD.

<b>PROPRIETARY AND CONFIDENTIAL</b> THE INFORMATION CONTAINED IN THIS DRAWING IS THE SOLE PROPERTY OF QUALITY MOLDED PLASTICS LTD. ANY REPRODUCTION IN PART OR AS A WHOLE WITHOUT THE WRITTEN PERMISSION OF QUALITY MOLDED PLASTICS LTD. IS PROHIBITED.	CLIENT NAME: <b>Q.M.P.</b>	MATERIAL: LLDPE	DATE: JUN/10/2009	DRAWN BY: JOSE H.	DESCRIPTION: <b>TANK, 12 GAL, CB, 16"</b>	REV <b>Y</b>
	APPROXIMATE WEIGHT (lb): 8	DO NOT SCALE DRAWING				
	<b>UNLESS OTHERWISE SPECIFIED:</b>		<b>QMP</b>		<b>QUALITY MOLDED PLASTICS LTD.</b> Site 412, P.O. Box 280, R.R.#4 SASKATOON, SK S7K 3J7	
	--- TOLERANCES --- LENGTH DIMENSION: ± 1% ANGULAR: ± 1.0°	DIMENSIONS ARE IN INCHES				