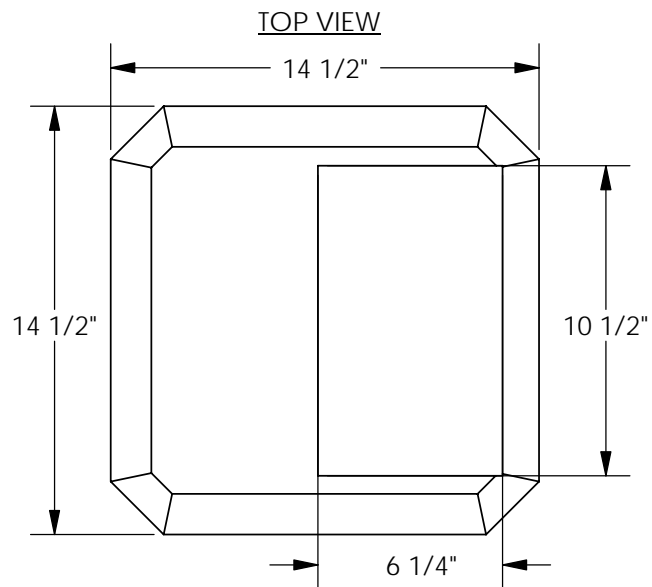
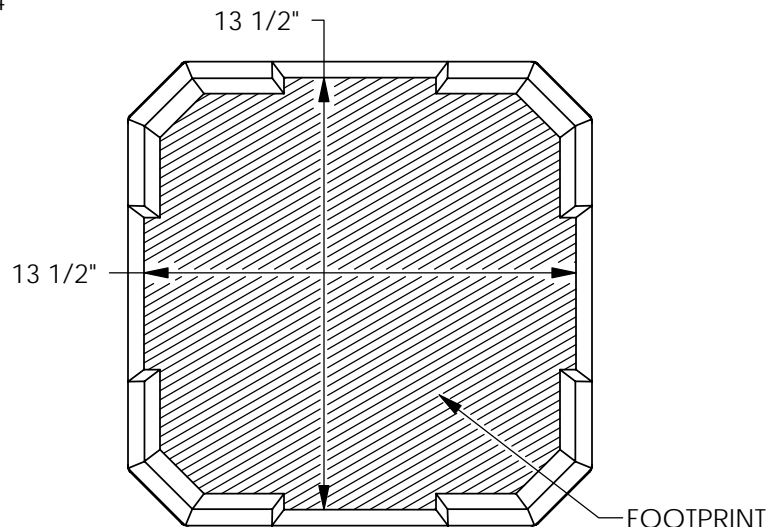


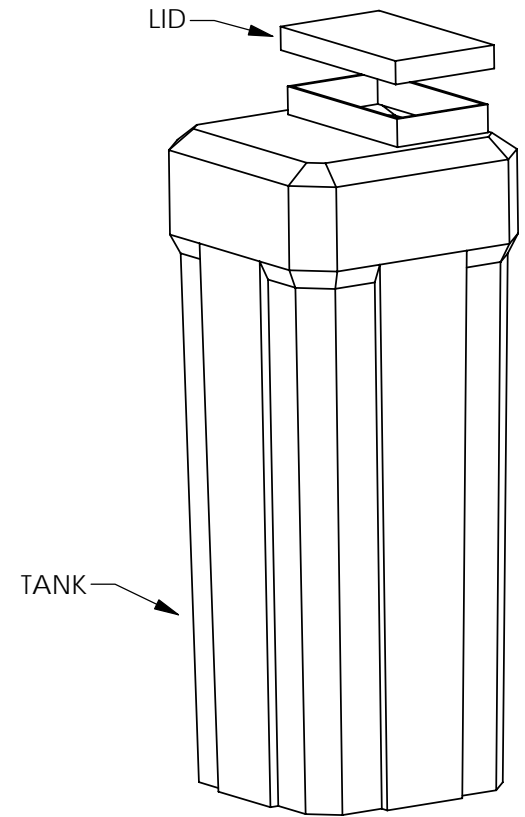
FRONT VIEW



TOP VIEW



BOTTOM VIEW



ISOMETRIC VIEW

NOTES (approx.):
 WEIGHT: 15 lb
 WALL THICKNESS: 0.2"

CAPACITY (approx.):
 20.54 imp. gal
 24.67 u.s. gal
 93.39 lt

<p>PROPRIETARY AND CONFIDENTIAL</p> <p>THE INFORMATION CONTAINED IN THIS DRAWING IS THE SOLE PROPERTY OF QUALITY MOLDED PLASTICS LTD. ANY REPRODUCTION IN PART OR AS A WHOLE WITHOUT THE WRITTEN PERMISSION OF QUALITY MOLDED PLASTICS LTD. IS PROHIBITED.</p>	<p>CLIENT NAME: Q.M.P.</p>	<p>MATERIAL: LLDPE</p>	<p>DATE: FEB/05/2009</p>	<p>DRAWN BY: JOSE H.</p>	<p>DESCRIPTION: TANK, 25 GAL, 1/2 LID, 16x34, QMP</p>	<p>REV Y</p>
	<p>APPROXIMATE WEIGHT (lb): 15</p>	<p>DO NOT SCALE DRAWING</p>				
	<p>UNLESS OTHERWISE SPECIFIED:</p>		<p>QMP QUALITY MOLDED PLASTICS LTD. Site 412, P.O. Box 280, R.R.#4 SASKATOON, SK S7K 3J7</p>		<p>SCALE: 1:16</p>	<p>PART NO.</p>
	<p>--- TOLERANCES --- LENGTH DIMENSION: ± 1% ANGULAR: ± 1.0°</p>	<p>DIMENSIONS ARE IN INCHES</p>			<p>SHEET 1 OF 1</p>	<p>60057-2</p>