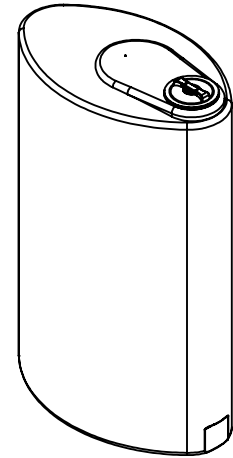


TOP VIEW

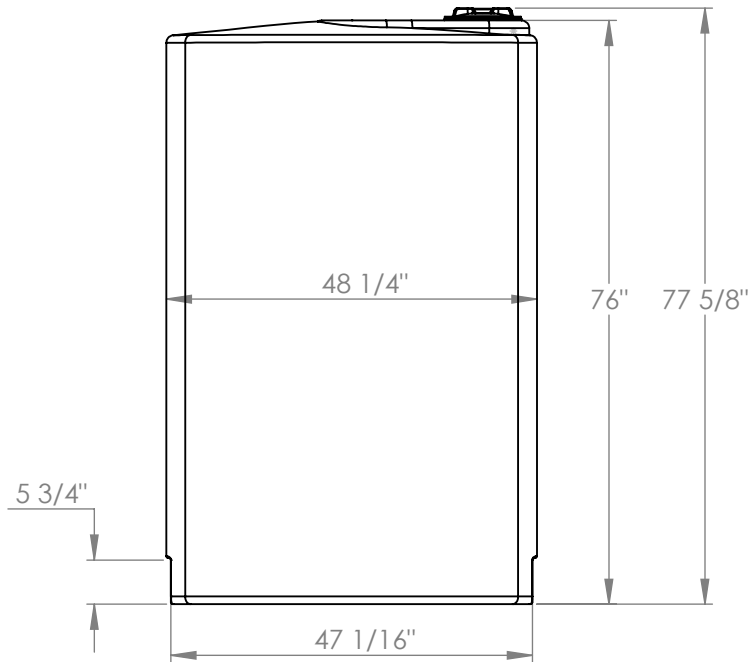
**NOTES (APPROX):**

WALL THICKNESS: 0.28"

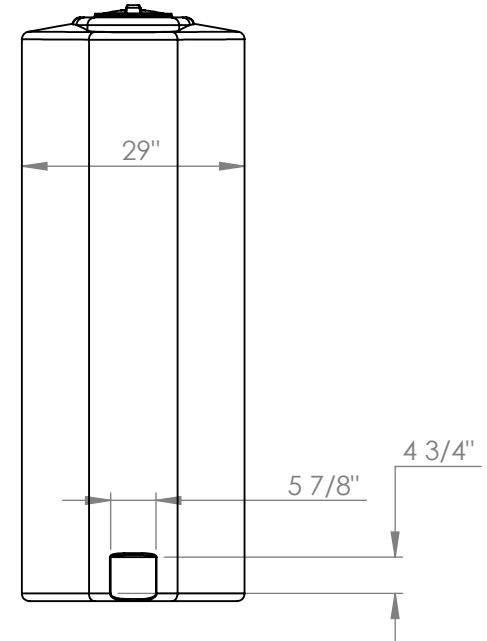
CAPACITY:  
270 IMP. GAL  
324 US GAL  
1226 LITRES



ISOMETRIC VIEWS



FRONT VIEW



SIDE VIEW

Copyright © 2008 Quality Molded Plastics LTD.

**PROPRIETARY AND CONFIDENTIAL**  
THE INFORMATION CONTAINED IN THIS DRAWING IS THE SOLE PROPERTY OF QUALITY MOLDED PLASTICS LTD. ANY REPRODUCTION IN PART OR AS A WHOLE WITHOUT THE WRITTEN PERMISSION OF QUALITY MOLDED PLASTICS LTD. IS PROHIBITED.

CLIENT NAME:  
Q.M.P.  
APPROXIMATE WEIGHT (lb): 105  
**UNLESS OTHERWISE SPECIFIED:**  
--- TOLERANCES ---  
LENGTH DIMENSION: ± 1%  
ANGULAR: ± 1.0°  
DIMENSIONS ARE IN INCHES

MATERIAL:  
LLDPE  
DATE:  
OCT/03/2016  
DRAWN BY:  
S. APPLETON  
**DO NOT SCALE DRAWING**  
**QMP** QUALITY MOLDED PLASTICS LTD.  
Site 412, P.O. Box 280, R.R.#4  
SASKATOON, SK S7K 3J7

DESCRIPTION:  
**TANK, 324 US GAL, OVAL, VERT**  
SCALE: 1:25  
SHEET 1 OF 1  
PART NO.  
**60014-1**  
REV  
**Y**