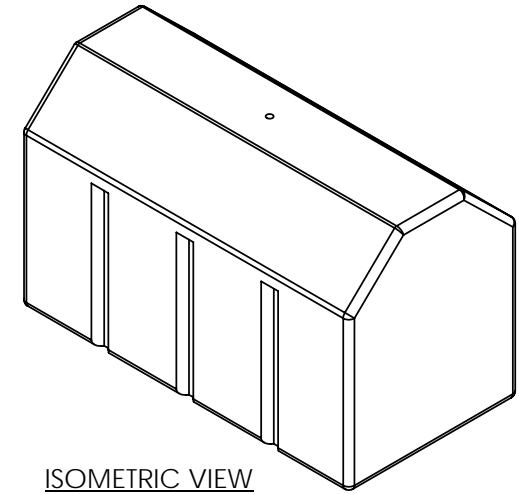


TOP VIEW

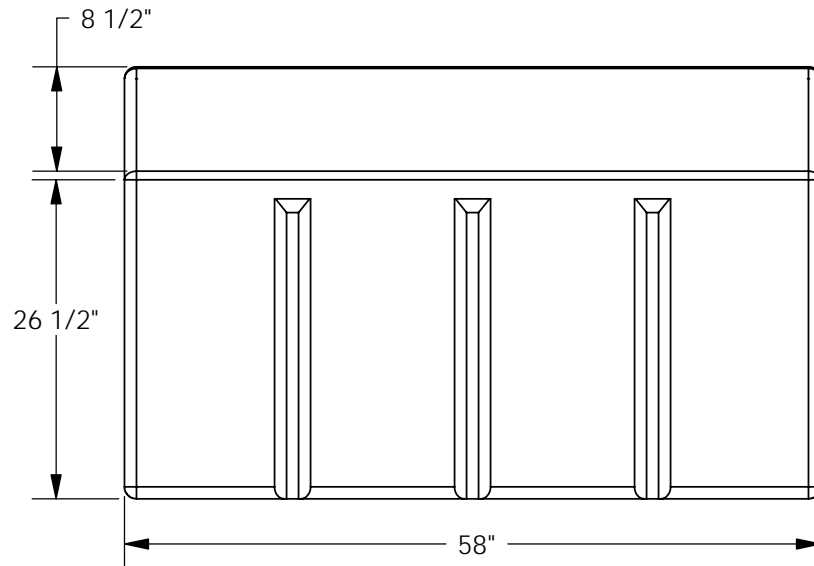


ISOMETRIC VIEW

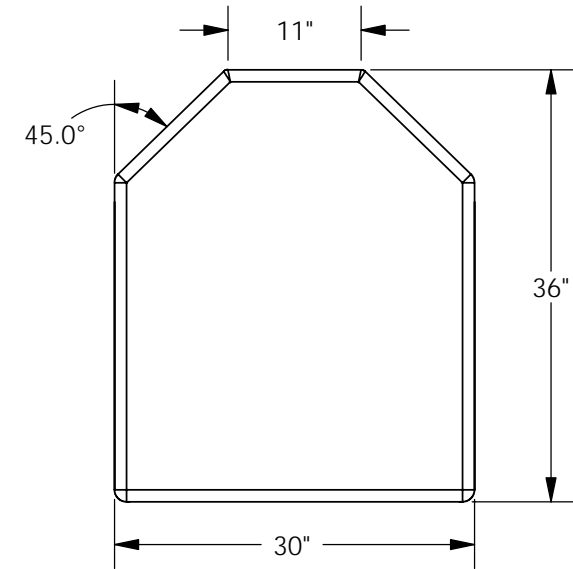
NOTES (APPROX):

WALL THICKNESS: 0.3"

CAPACITY:
197.11 imp gal
236.72 u.s. gal



FRONT VIEW



SIDE VIEW

Copyright © 2008 Quality Molded Plastics LTD.

PROPRIETARY AND CONFIDENTIAL THE INFORMATION CONTAINED IN THIS DRAWING IS THE SOLE PROPERTY OF QUALITY MOLDED PLASTICS LTD. ANY REPRODUCTION IN PART OR AS A WHOLE WITHOUT THE WRITTEN PERMISSION OF QUALITY MOLDED PLASTICS LTD. IS PROHIBITED.	CLIENT NAME: Q.M.P.	MATERIAL: LLDPE	DATE: JUN/28/2009	DRAWN BY: JOSE H.	DESCRIPTION: TANK,200 GAL,LOAF,VIR	REV Y
	APPROXIMATE WEIGHT (lb): 90	DO NOT SCALE DRAWING				
	UNLESS OTHERWISE SPECIFIED:		QMP		QUALITY MOLDED PLASTICS LTD. Site 412, P.O. Box 280, R.R.#4 SASKATOON, SK S7K 3J7	
	--- TOLERANCES --- LENGTH DIMENSION: ± 1% ANGULAR: ± 1.0°	DIMENSIONS ARE IN INCHES				