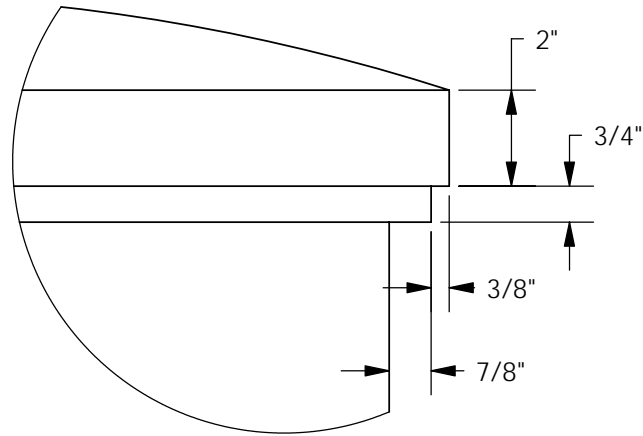


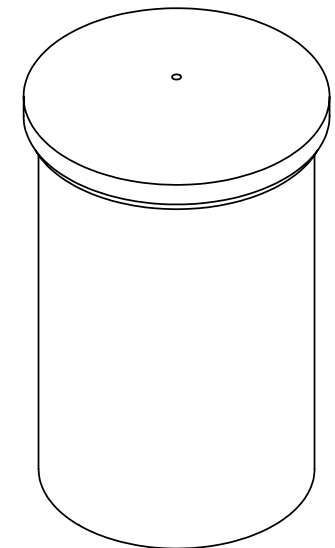
FRONT VIEW



DETAIL A


**NOTES (APPROX):**

- WALL THICKNESS: 0.17"
- CAPACITY (UP TO 35.25"):  
50.99 imp gal  
61.24 u.s. gal
- CAPACITY (UNTRIMMED):  
57.32 imp gal  
68.84 u.s. gal



ISOMETRIC VIEWS

Copyright © 2008 Quality Molded Plastics LTD.

<b>PROPRIETARY AND CONFIDENTIAL</b> THE INFORMATION CONTAINED IN THIS DRAWING IS THE SOLE PROPERTY OF QUALITY MOLDED PLASTICS LTD. ANY REPRODUCTION IN PART OR AS A WHOLE WITHOUT THE WRITTEN PERMISSION OF QUALITY MOLDED PLASTICS LTD. IS PROHIBITED.	CLIENT NAME: <b>Q.M.P.</b>	MATERIAL: LLDPE	DATE: NOV/30/2009	DRAWN BY: JOSE H.	DESCRIPTION: <b>BARREL,50 GAL,23x35</b>	REV <b>Y</b>
	APPROXIMATE WEIGHT (lb): 22	DO NOT SCALE DRAWING				
	<b>UNLESS OTHERWISE SPECIFIED:</b>					
	--- TOLERANCES --- LENGTH DIMENSION: ± 1% ANGULAR: ± 1.0°	DIMENSIONS ARE IN INCHES	 <b>QUALITY MOLDED PLASTICS LTD.</b> Site 412, P.O. Box 280, R.R.#4 SASKATOON, SK S7K 3J7		SCALE: 1:24 SHEET 1 OF 1	PART NO. <b>60001-1</b>