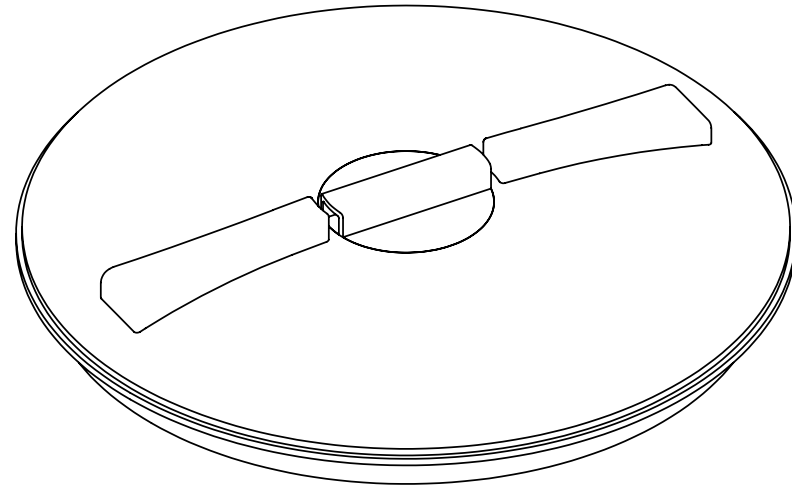
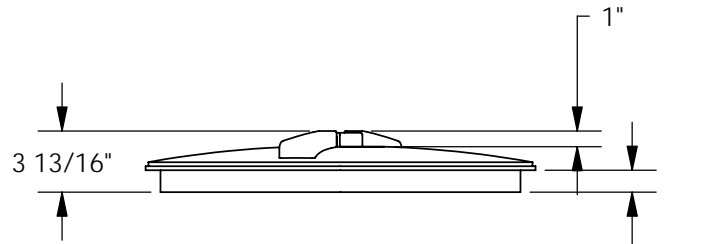


Ø 24 3/8"

TOP VIEW



ISOMETRIC VIEW




3 13/16"

1"

1 3/8"

FRONT VIEW

Copyright © 2006 Quality Molded Plastics LTD.

PROPRIETARY AND CONFIDENTIAL THE INFORMATION CONTAINED IN THIS DRAWING IS THE SOLE PROPERTY OF QUALITY MOLDED PLASTICS LTD. ANY REPRODUCTION IN PART OR AS A WHOLE WITHOUT THE WRITTEN PERMISSION OF QUALITY MOLDED PLASTICS LTD. IS PROHIBITED.	CLIENT NAME: QUALITY MOLDED PLASTICS	MATERIAL: PVC	DATE: 28/AUG/06	DRAWN BY: JOSE H	DESCRIPTION: 22 INCH LID	REV 0	
	CLIENT PART #: 30025-1	DO NOT SCALE DRAWING					
	UNLESS OTHERWISE SPECIFIED: TOLERANCES: LENGTH DIMENSION: ± 1% ANGULAR: ± 1.0°		DIMENSIONS ARE IN INCHES		 QUALITY MOLDED PLASTICS LTD. Site 412, P.O. Box 280, R.R.#4 SASKATOON, SK S7K 3J7		SCALE: 1:12 SHEET 1 OF 1