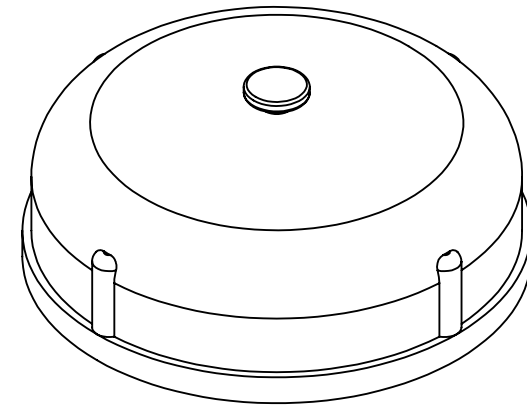
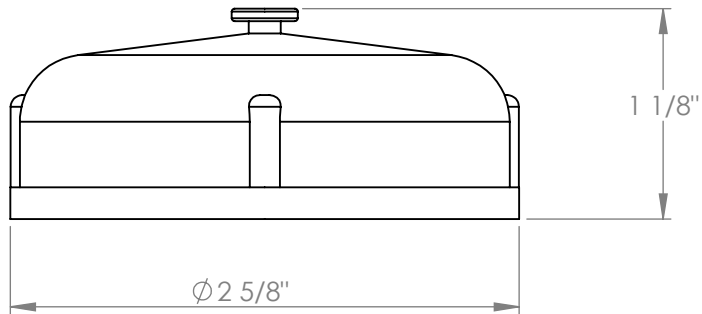


TOP VIEW



ISOMETRIC VIEWS



FRONT VIEW

Copyright © 2008 Quality Molded Plastics LTD.

PROPRIETARY AND CONFIDENTIAL
 THE INFORMATION CONTAINED IN THIS DRAWING IS THE SOLE PROPERTY OF QUALITY MOLDED PLASTICS LTD. ANY REPRODUCTION IN PART OR AS A WHOLE WITHOUT THE WRITTEN PERMISSION OF QUALITY MOLDED PLASTICS LTD. IS PROHIBITED.

CLIENT NAME:
Q.M.P.
 APPROXIMATE WEIGHT (lb): .
UNLESS OTHERWISE SPECIFIED:
 --- TOLERANCES ---
 LENGTH DIMENSION: ± 1%
 ANGULAR: ± 1.0°
 DIMENSIONS ARE IN INCHES

MATERIAL:
 PP
 DATE:
 JAN/06/2014
 DRAWN BY:
 S.APPLETON
DO NOT SCALE DRAWING
QMP **QUALITY MOLDED PLASTICS LTD.**
 Site 412, P.O. Box 280, R.R.#4
 SASKATOON, SK S7K 3J7

DESCRIPTION:
CAP, 2"
 SCALE: 1:1
 SHEET 1 OF 1
 PART NO.
30023-1 2" Threaded Cap
 REV
Y