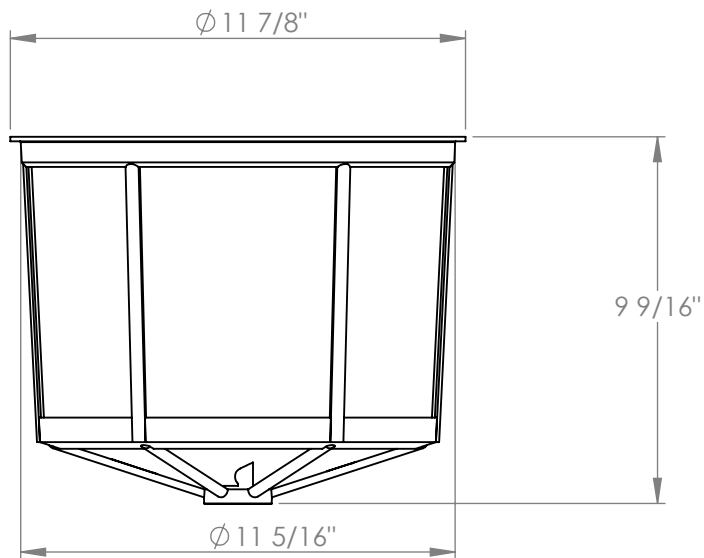
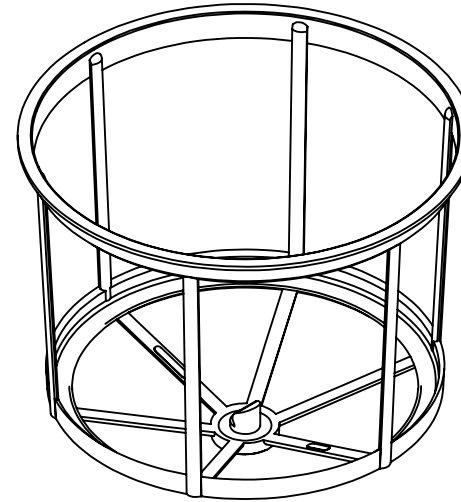


TOP VIEW




FRONT VIEW



ISOMETRIC VIEWS

ARAG PART #300120

Copyright © 2008 Quality Molded Plastics LTD.

PROPRIETARY AND CONFIDENTIAL THE INFORMATION CONTAINED IN THIS DRAWING IS THE SOLE PROPERTY OF QUALITY MOLDED PLASTICS LTD. ANY REPRODUCTION IN PART OR AS A WHOLE WITHOUT THE WRITTEN PERMISSION OF QUALITY MOLDED PLASTICS LTD. IS PROHIBITED.	CLIENT NAME: QMP	MATERIAL: 18 MESH	DATE: APRIL 29, 2020	DRAWN BY: S.APPLETON	DESCRIPTION: 12" FILTER BASKET	REV Y
	APPROXIMATE WEIGHT (lb): .	DO NOT SCALE DRAWING			SCALE: 1:5	PART NO.
	UNLESS OTHERWISE SPECIFIED:		 QUALITY MOLDED PLASTICS LTD. Site 412, P.O. Box 280, R.R.#4 SASKATOON, SK S7K 3J7		SHEET 1 OF 1	30010-1
	--- TOLERANCES --- LENGTH DIMENSION: ± 1% ANGULAR: ± 1.0°	DIMENSIONS ARE IN INCHES				