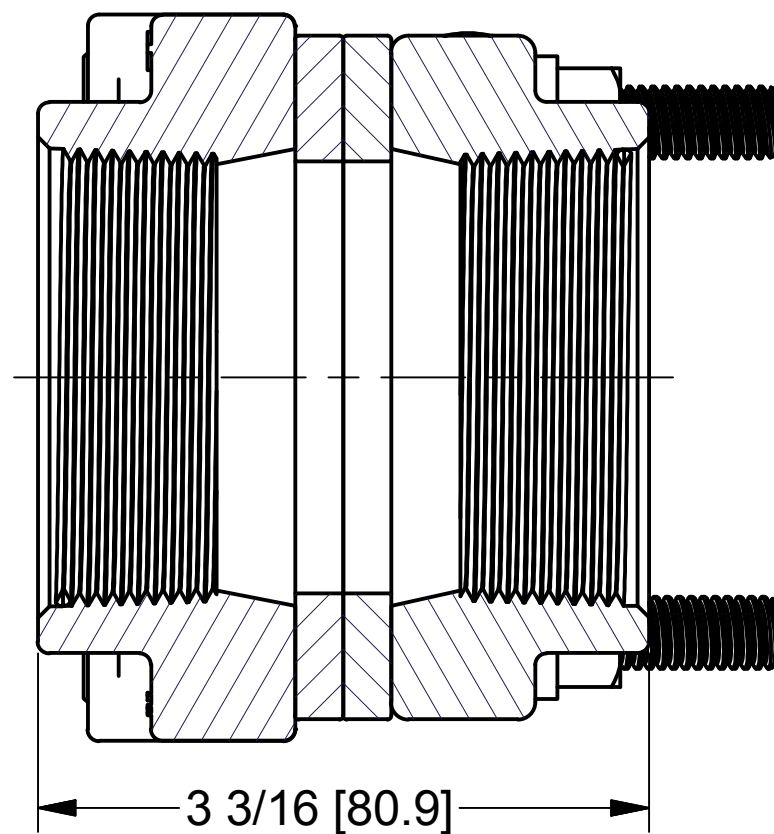
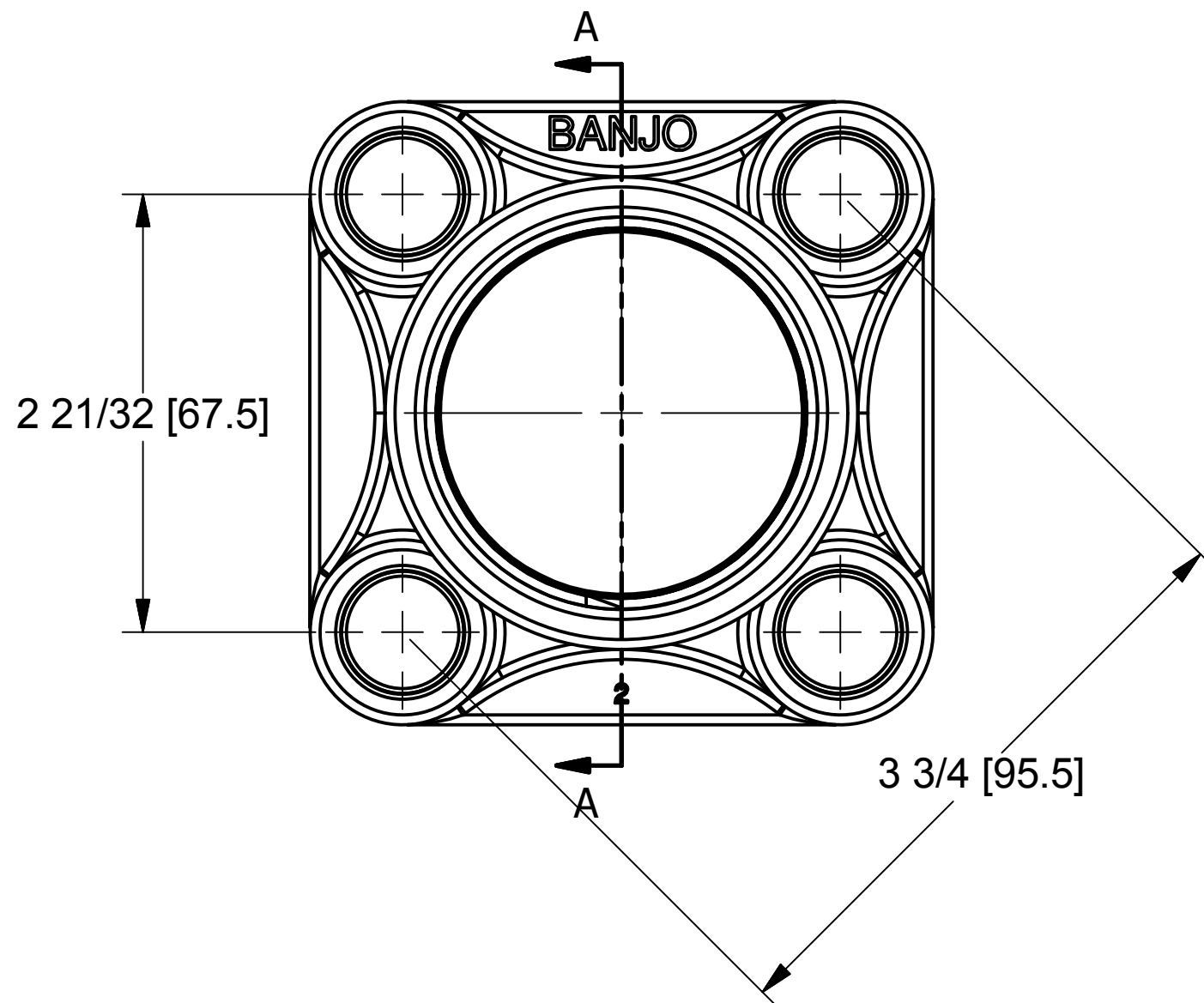
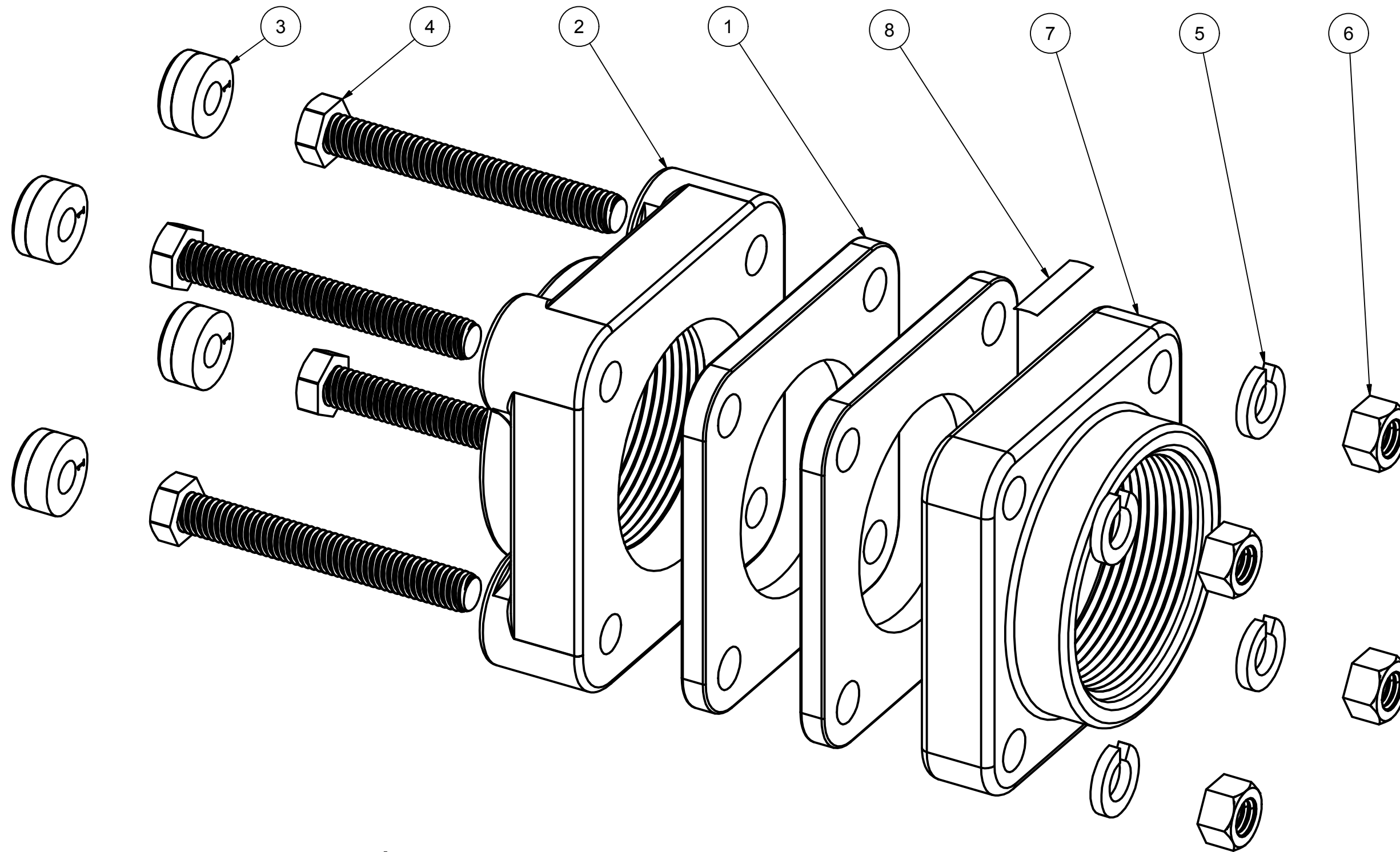


Parts List			
ITEM	QTY	PART NUMBER	DESCRIPTION
1	2	BF200GE	2" B.F. GASKET
2	1	BF201A	BOLTED FLANGE PLATE
3	4	BF304AT	Bolted Flange Plug Tumbled
4	4	BF308	3/8"-16 x 3.00" HHCS Full Thds
5	4	V20018	3/8" LOCKWASHER
6	4	V20019	3/8" HEX NUT
7	1	V20156	2" FLAT END PLATE
8	1	VL1004	EPDM DECAL



SECTION A-A
SCALE 1 : 1

THIS DRAWING AND ALL INFORMATION CONTAINED THEREON ARE THE EXCLUSIVE PROPERTY OF BANJO CORPORATION.

UNLESS SPECIFICALLY NOTED, THIS DRAWING AND ITEMS SHOWN ON THIS DRAWING ARE SUBJECT TO CHANGE AT ANY TIME.

BANJO CORPORATION
150 BANJO DRIVE, CRAWFORDSVILLE, IN 47933
WEB SITE: WWW.BANJOCORP.COM
E-MAIL: SALES1@BANJOCORP.COM

DESCRIPTION
2" Bolted Flange Assembly, EPDM

PART NUMBER
BF230