

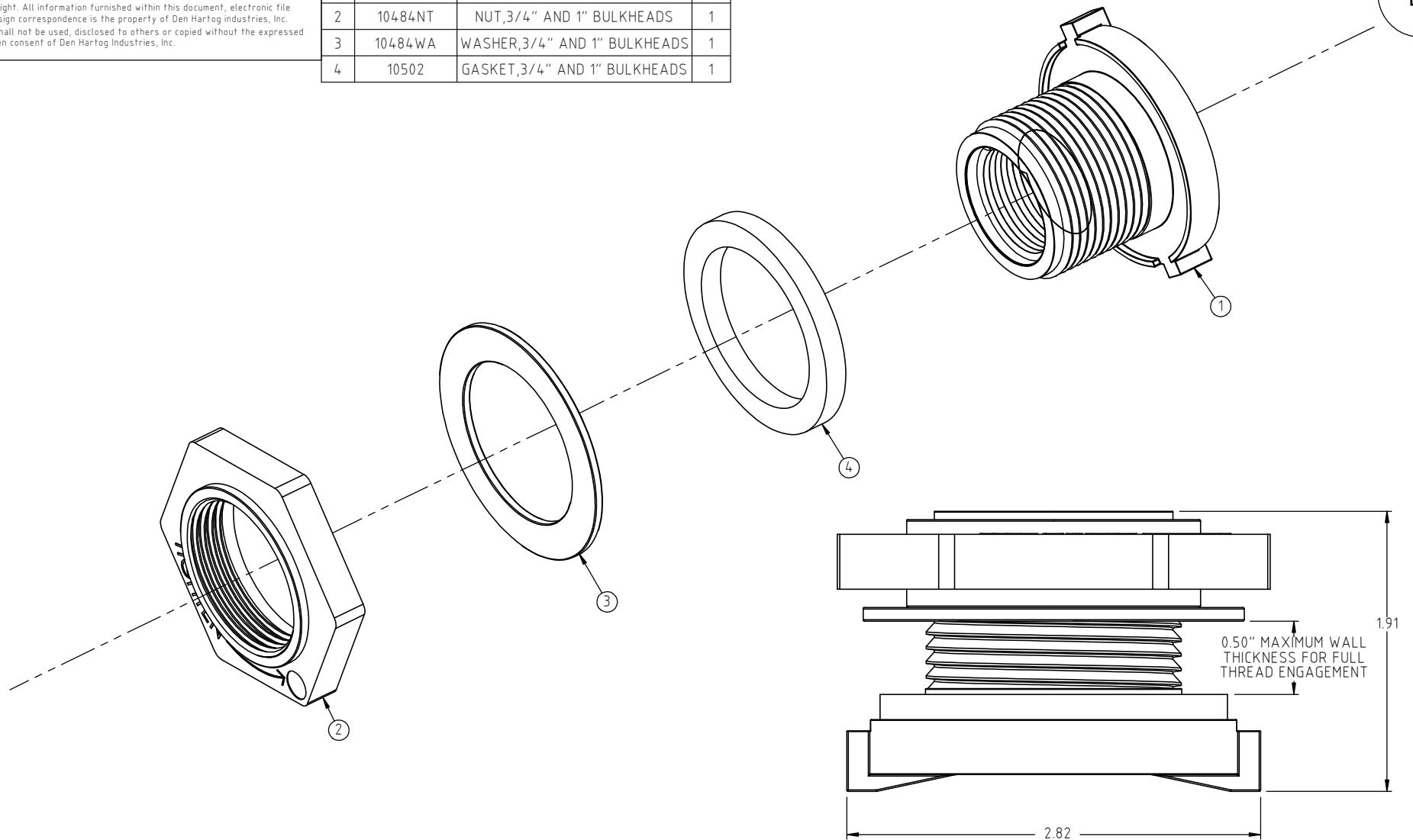
© DEN HARTOG INDUSTRIES, INC.

Copyright. All information furnished within this document, electronic file or design correspondence is the property of Den Hartog industries, Inc. and shall not be used, disclosed to others or copied without the expressed written consent of Den Hartog Industries, Inc.

KEY	PART NUMBER	DESCRIPTION	QTY.
1	10485BD	1" HD BULKHEAD FITTING BODY	1
2	10484NT	NUT, 3/4" AND 1" BULKHEADS	1
3	10484WA	WASHER, 3/4" AND 1" BULKHEADS	1
4	10502	GASKET, 3/4" AND 1" BULKHEADS	1

10485

B



B	DRAWING DIMENSIONS/LAYOUT UPDATED, TABLE ADDED	ADH 3/26/14	2826	DRAWN / DATE NVE 6/20/05	MATERIAL
A	UPDATE LOGO AND TOL.	GWC 4/18/07	1296	APPRD. / DATE DHJ 9/21/05	
REV	DESCRIPTION	BY / DATE	CCN		
ALL DIMENSIONS ARE IN DECIMAL INCHES TOLERANCES UNLESS OTHERWISE SPECIFIED		THIRD ANGLE PROJECTION ANSI 14.5M		SHOT WEIGHT:	NOTES:
NOTE		TOLERANCE: .XXX ± .016" .XX ± .032" .X ± .062"		SHIPPING WEIGHT: 0.17 LBS	
		FINISH:			



Den Hartog
INDUSTRIES, INC.

Ace Roto-Mold Injection Molding Blow Molding Sowjoy

4010 HOSPERS DRIVE S. BOX 425, HOSPERS, IOWA 51238-0425

DESCRIPTION BULKHEAD, 1" FITTING	
SCALE N.S.	PART NO. 10485