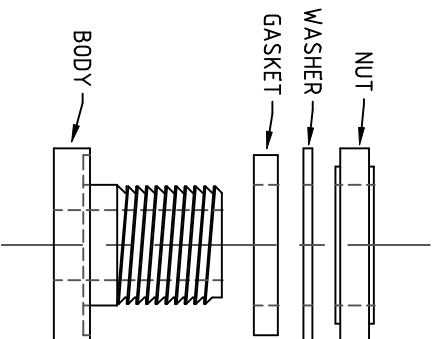


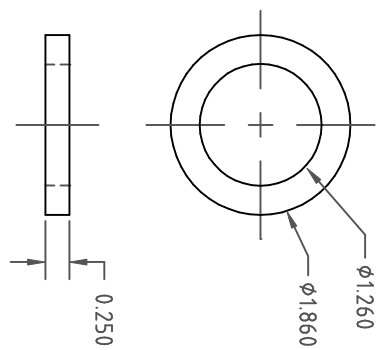
10058

B

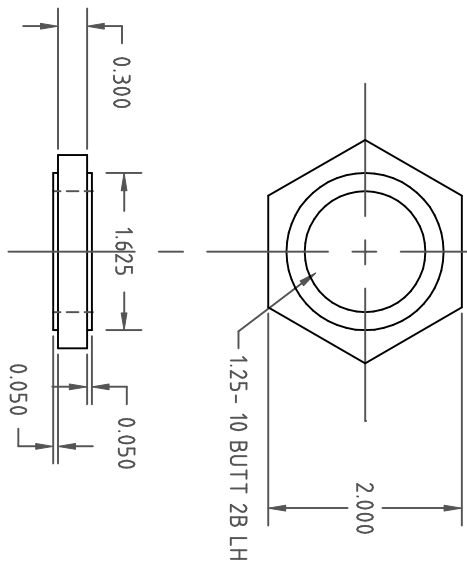
ASSEMBLY



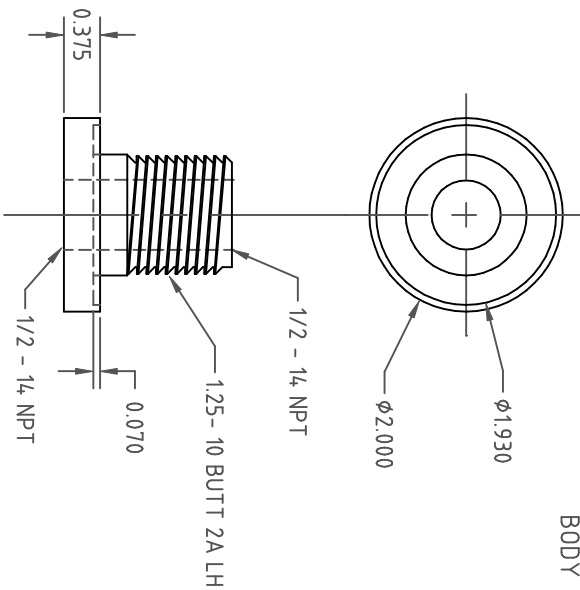
GASKET



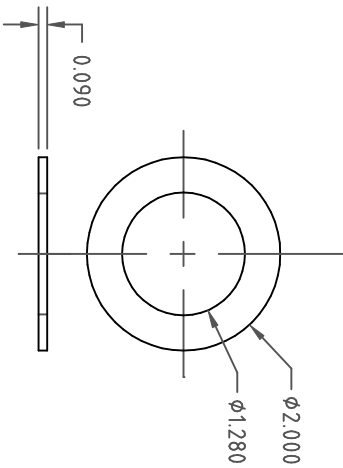
NUT



BODY



WASHER



PROPERTY OF ACE ROTO-MOLD MFG., INC. INFORMATION FURNISHED HEREIN IS THE PROPERTY OF ACE ROTO-MOLD MFG., INC. AND SHALL NOT BE USED, DISCLOSED TO OTHERS, OR COPIED WITHOUT THE EXPRESSED WRITTEN CONSENT OF ACE ROTO-MOLD MFG., INC. ALL RIGHTS RESERVED.

PROPRIETARY DATA

INJECTION MOLDING
A DIVISION OF DEN HARTOG INDUSTRIES, INC.
4010 HOSPERS DRIVE S., BOX 425, HOSPERS, IOWA 51238-0425

CLIENT / DESCRIPTION

1/2 INCH BULKHEAD FITTING

SCALE

NONE

PART NO.

10058

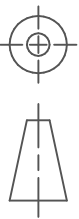
MATERIAL / SHOT WEIGHT

DRAWN / DATE
DHJ/1/27/03

APPRD. / DATE
GWC / 4/18/07

DATE APPRD.
GWC / 4/18/07

THIRD ANGLE PROJECTION
ANSI 14.5M



NOTES:

REV	DESCRIPTION	DATE APPRD.
B	UPDATE LOGO CCN 1296	4/18/07 GWC
A	ADD TOLERANCE	4/23/07 GWC

ALL DIMENSIONS ARE IN DECIMAL INCHES
TOLERANCES UNLESS OTHERWISE SPECIFIED

DECIMAL +/- .015"
FRACTION +/- 1/32"
ANGLE +/- 1°