

All prices in Canadian dollars. Price does not include tax.
 Prices effective Jan 1, 2025¹
 Prices charged by dealer or retailer may vary.

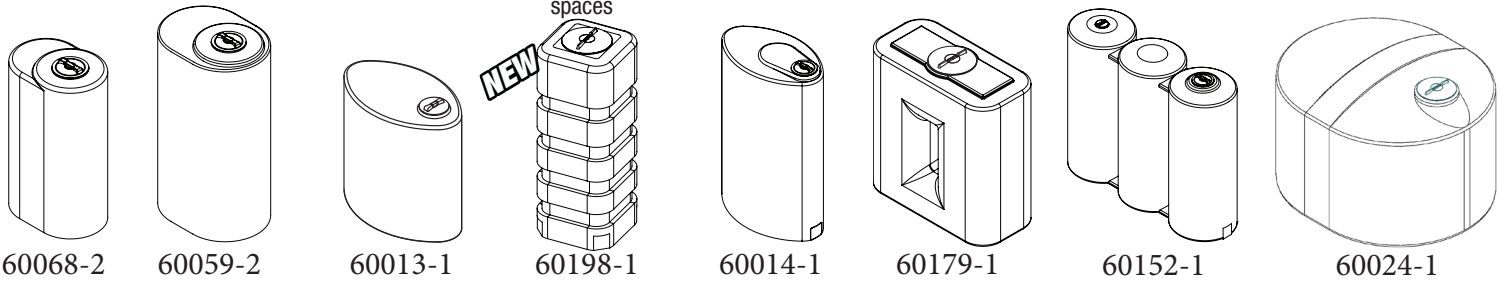
Oval Vertical Storage Tanks

- 102-1980 US Gallon, self-supporting oval tanks
- 30" wide tanks are made to fit through standard doorways
- Designed for residential and commercial applications
- Made with food grade polyethylene. BPA free.
- Contact factory for availability in custom colors

Description	Part #	Lid Size	US Gal	Imp Gal	W"	L"	H"	MSRP
102 US Gallon Oval Vertical Tank	60068-2	8"	102	85	20	30	49	\$239.15
192 US Gallon Oval Vertical Tank	60059-2	8"	192	160	26	35	61	\$289.68
216 US Gallon Oval Vertical Tank	60013-1	8"	216	180	30	49	50	\$441.41
250 US Gallon Square Vertical	60198-1	16"	250	208	30	30	72	\$453.59
324 US Gallon Oval Vertical Tank	60014-1	8"	324	270	30	49	75	\$645.72
420 US Gallon Rectangular tank	60179-1	16"	420	350	30	61	62	\$780.89
710 US Gallon Lobe Tank	60152-1	8"/5"	710	590	30	96	79	\$1,217.93
1980 US Gallon Oval Vertical Water Tank	60024-1	16"	1980	1650	88	103	71	\$1,541.48



Designed for connecting multiple tanks in tight spaces



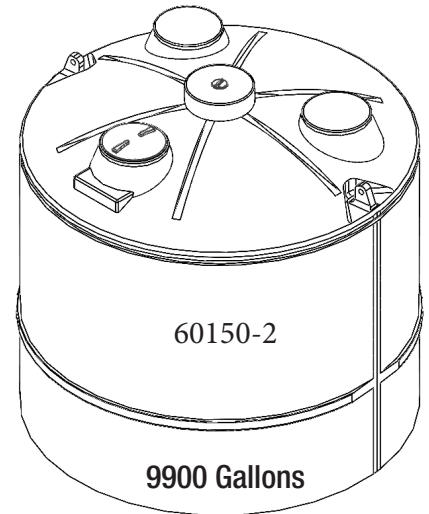
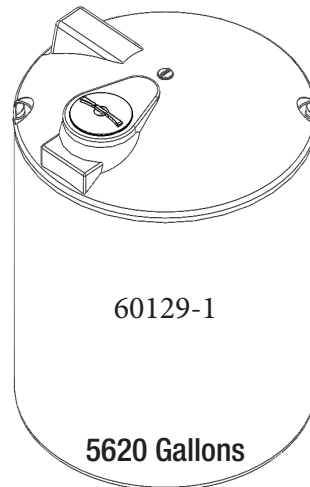
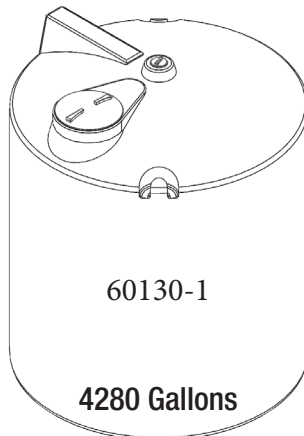
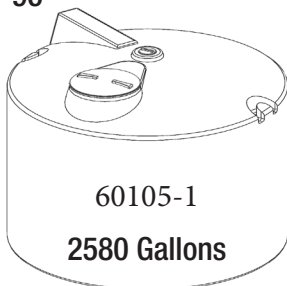
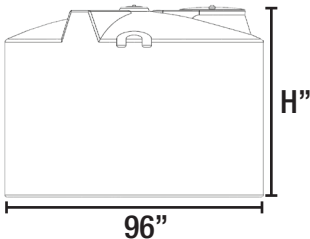
High Capacity Round Tanks

- 1560-9900 US Gallon, high capacity round tanks
- Tanks include a 22" man-way lid, and 5" vented lid.
- Engineered to ASTM D1998-15 Standards
 - Heavy Duty tanks: Up to 1.4 specific gravity, ideal for liquid fertilizer storage
- Suitable for water and chemical storage
- Contact for chemical storage compatibility
- Made with food grade polyethylene. BPA Free.
- Contact factory for availability in custom colors

Water Storage Tanks	Black	White*	Lid Size	US Gal	Imp Gal	Dia"	H"	MSRP
9900 US Gallon Flat Bottom Vertical Tank**	60151-3	60192-1	22"/5"	9900	8250	150	147	\$8,729.81

Heavy Duty Storage Tanks (1.4 SG)	Black	White*	Lid Size	US Gal	Imp Gal	Dia"	H"	MSRP
1560 US Gallon Flat Bottom Vertical Tank	60182-1	60096-1	22"/5"	1560	1300	96	59	\$1,318.62
1920 US Gallon Flat Bottom Vertical Tank	60183-1	60104-1	22"/5"	1920	1600	96	71	\$1,496.18
2220 US Gallon Flat Bottom Vertical Tank	60184-1	60097-1	22"/5"	2220	1850	96	82	\$1,796.05
2580 US Gallon Flat Bottom Vertical Tank	60178-1	60105-1	22"/5"	2580	2150	96	94	\$2,097.02
3096 US Gallon Flat Bottom Vertical Tank	60177-1	60098-1	22"/5"	3096	2580	96	111	\$2,674.73
4280 US Gallon Round Vertical	60130-1	60197-1	22"/5"	4280	3565	106	133	\$4,240.45
5620 US Gallon Flat Bottom Vertical Tank**	60129-0	60129-1	22"/5"	5620	4680	116	130	\$4,928.85
9900 US Gallon Flat Bottom Vertical Tank**	60150-4	60150-2	22"/5"	9900	8250	150	147	\$10,408.97

96" Diameter Tanks

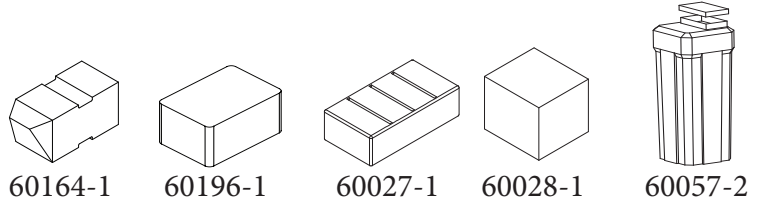


¹ Prices may be subject to change without notice.

Rectangular Tanks

- 4-30 US Gallon, rectangular or loaf tanks
- Suitable for water or chemical storage
- Made with food grade polyethylene. BPA Free.
- Contact factory for availability in custom colors
- Tanks do not include lids in the tank price. Lid size can be specified and installed in ideal location as requested.

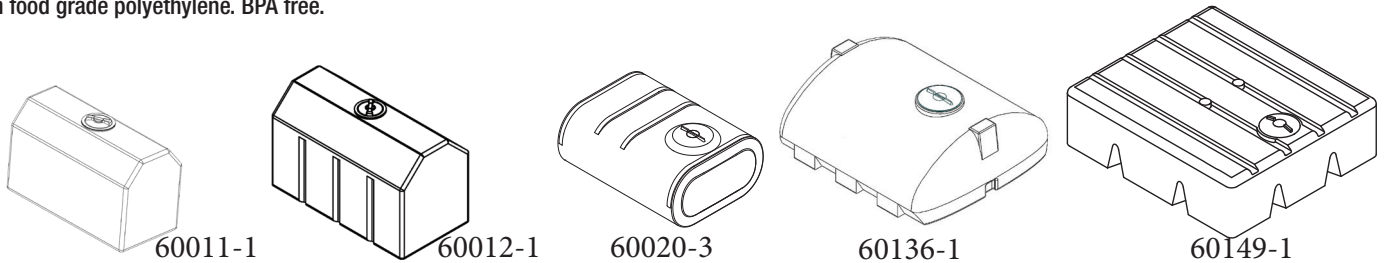
Description	Part #	US Gal	Imp Gal	W"	L"	H"	MSRP
4 US Gallon Stackable Liquid Tank	60164-1	4	4	10	22	10	\$33.73
7 US Gallon Rectagular Tank	60196-1	7	6	12	17	9	\$43.37
17 US Gallon Rectangular Tank	60027-1	17	14	16	30	9	\$88.53
30 US Gallon Rectangular Tank	60028-1	30	25	20	22	18	\$106.70
30 US Gallon Brine Tank w/ Half Lid	60057-2	30	25	14	14	37	\$87.43



Low Profile Horizontal Tanks

- 120-1050 US gallon, low profile flat bottom tanks
- Used in crawl space installations for cabins or houses, or for water transport
- Designed for low clearance areas and truck beds
- Height dimensions on tanks include the lid height (~1.5" tall)
- Made with food grade polyethylene. BPA free.

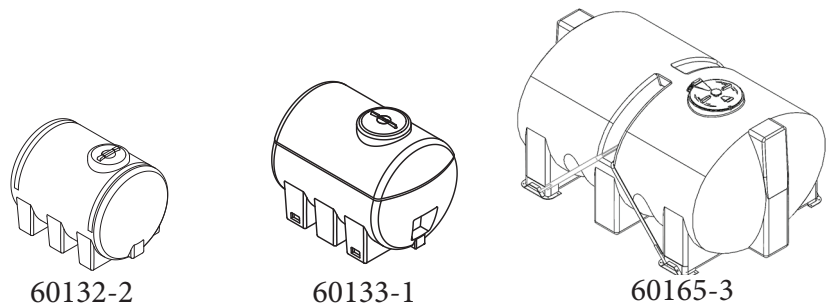
Description	Part #	Lid Size	US Gal	Imp Gal	W"	L"	H"	MSRP
120 US Gallon Loaf Tank	60011-1	8"	120	100	24	49	29	\$325.25
240 US Gallon Loaf Tank	60012-1	8"	240	200	30	59	36	\$468.41
504 US Gallon Low Profile Flat Tank - Standard Flat	60020-3	16"	504	420	57	75	34	\$746.92
720 US Gallon Low Profile Flat Bottom Tank	60136-1	16"	720	600	78	90	35	\$892.72
1050 US Gallon Low Profile Flat Bottom Tank	60149-1	16"	1050	875	89	100	31	\$1,258.54



Horizontal Leg Tanks

- 350-2600 US gallon, self-supporting leg tanks
- Transport tanks with mounting hardware have the best in class heavy duty interior baffles, for safer and easier liquid transport
- Made with food grade polyethylene. BPA free.
- Contact factory for availability in custom colors

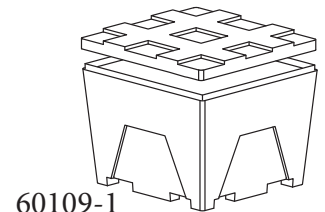
0.75 pt	Part #	Lid Size	US Gal	Imp Gal	W"	L"	H"	MSRP
350 US Gallon Leg Tank	60132-2	12"	350	290	42	60	43	\$544.80
500 US Gallon Leg Tank	60133-1	16"	500	420	48	72	53	\$850.32
2600 US Gallon Water Baffled Transport Tank, BLK	60153-3	22" HD	2600	2150	88	145	72	\$4,477.94
2600 US Gallon Commerical Baffled Transport Tank, BLK	60165-3	22" HD	2600	2150	88	145	72	\$5,610.37



Forkliftable Storage Container

- Contact factory for availability in custom colors
- Made from food grade polyethylene

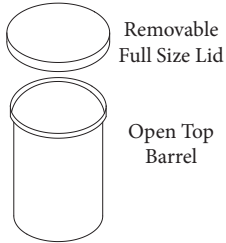
Description	Part #	US Gal	Imp Gal	Cu. Ft	Bu	W"	L"	H"	MSRP
Natural Stacking/Forkliftable Storage Bin	60109-1	300	250	40	32	48	46	36	\$598.22



Open Top Round Barrels

- 19-480 US Gallon, heavy duty round barrels
- Suitable for water and chemical storage
- Can be ordered with a closed top with accessory lid. Contact factory.
- Made with food grade polyethylene. BPA free.
- Contact factory for availability in custom colors

Description	Part #	Lid Size	US Gal	Imp Gal	Dia"	H"	MSRP
19 US Gallon Open Top Barrel	60000-1	16"	19	16	16	24	\$71.59
26 US Gallon Open Top Barrel	60054-1	16"	26	22	16	34	\$79.30
60 US Gallon Open Top Barrel	60001-1	23"	60	50	23	37	\$126.94
84 US Gallon Open Top Barrel	60002-1	23"	84	70	23	50	\$159.43
130 US Gallon Open Top Barrel	60003-1	26"	130	108	26	57	\$221.67
138 US Gallon Open Top Barrel	60005-1	30"	138	115	30	50	\$218.09
150 US Gallon Open Top Barrel	60004-1	26"	150	125	26	70	\$264.76
180 US Gallon Open Top Barrel	60006-1	30"	180	150	30	64	\$277.57
204 US Gallon Open Top Barrel	60056-1	30"	204	170	30	80	\$355.91
210 US Gallon Open Top Barrel	60008-1	36"	210	175	36	50	\$338.83
300 US Gallon Open Top Barrel	60147-1	30"	300	245	30	94	\$544.53
360 US Gallon Open Top Barrel	60009-1	42"	360	300	42	64	\$475.41
480 US Gallon Open Top Barrel	60148-1	42"	480	400	42	83	\$639.94



Removable Full Size Lid

Open Top Barrel

60000-1

60054-1

60001-1

60002-1

60003-1

60005-1

60004-1

60006-1

60056-1

60008-1

60147-1

60009-1

60148-1



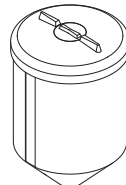
Cone Bottom Storage Tanks

- 14-3096 US Gallon, cone bottom tank
- Cone bottom tanks require full cone support (not incl.)
- Tanks include a 22" man-way lid, and 5" vented lid.
- Suitable for water and chemical storage
- Contact factory for chemical storage compatibility
- Made with food grade polyethylene. BPA free.
- Contact factory for availability in custom colors

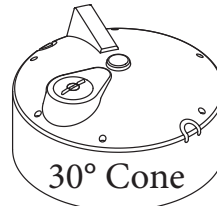
Description	Part #	Lid Size	US Gal	Imp Gal	Bu	Dia"	Slope	H"	MSRP
14 US Gallon Cone Bottom Tank	60062-1	16"	14	12	-	20	45°	20	\$127.25
24 US Gallon Cone Bottom Tank	60077-1	16"	24	20	-	20	45°	31	\$166.40
1560 US Gallon Cone Bottom Tank	60090-1	22"/5"	1560	1300	160	96	30°	75	\$1,380.80
1920 US Gallon Cone Bottom Tank	60101-1	22"/5"	1920	1600	200	96	30°	87	\$1,721.57
2220 US Gallon Cone Bottom Tank	60091-1	22"/5"	2220	1850	230	96	30°	98	\$1,966.91
2580 US Gallon Cone Bottom Tank	60102-1	22"/5"	2580	2150	270	96	30°	109	\$2,247.51
3096 US Gallon Cone Bottom Tank	60095-1	22"/5"	3096	2580	325	96	30°	127	\$2,787.91



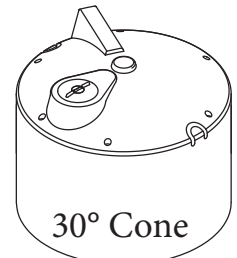
60062-1



60077-1



30° Cone
60090-1



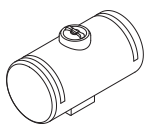
30° Cone
60091-1



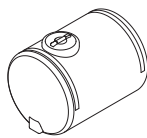
Round & Oval Horizontal Tanks

- 90-1500 US Gallon, horizontal tanks (req. cradle)
- Suitable for water & chemical storage
- Can be used as replacement/supplementary sprayer tanks when fitted with a cradle
- Sump access for fitting installation
- Made with food grade polyethylene. BPA free.

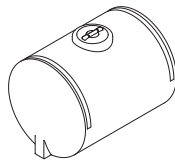
Description	Part #	Lid Size	US Gal	Imp Gal	Dia"	W"	L"	H"	MSRP
90 US Gallon Round Horizontal Tank	60017-1	8"	90	75	24"	-	50	32	\$247.70
300 US Gallon Round Horizontal Tank	60018-1	12"	300	250	42"	-	60	48	\$483.95
504 US Gallon Round Horizontal Tank	60019-1	12"	504	420	48"	-	72	54	\$826.22
660 US Gallon Oval Horizontal Tank	60021-1	16"	660	550	-	60	88	51	\$1,021.73
1020 US Gallon Oval Horizontal Tank	60022-1	16"	1020	850	-	78	91	60	\$1,534.18
1500 US Gallon Oval Horizontal Tank	60023-1	16"	1500	1250	-	86	99	72	\$2,035.20



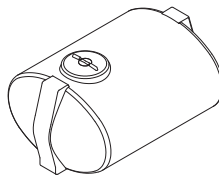
60017-1



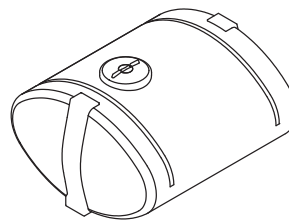
60018-1



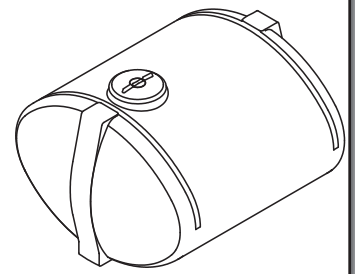
60019-1



60021-1



60022-1

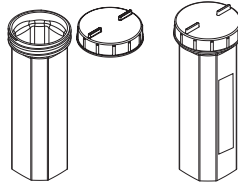


60023-1



Heavy Duty Instruction/Document Storage Tubes

- Stores papers up to 13" long, weather-sealed with a 5" threaded cap
- Strong frame, suitable for strapping to machinery/buildings



60117-1 60117-1

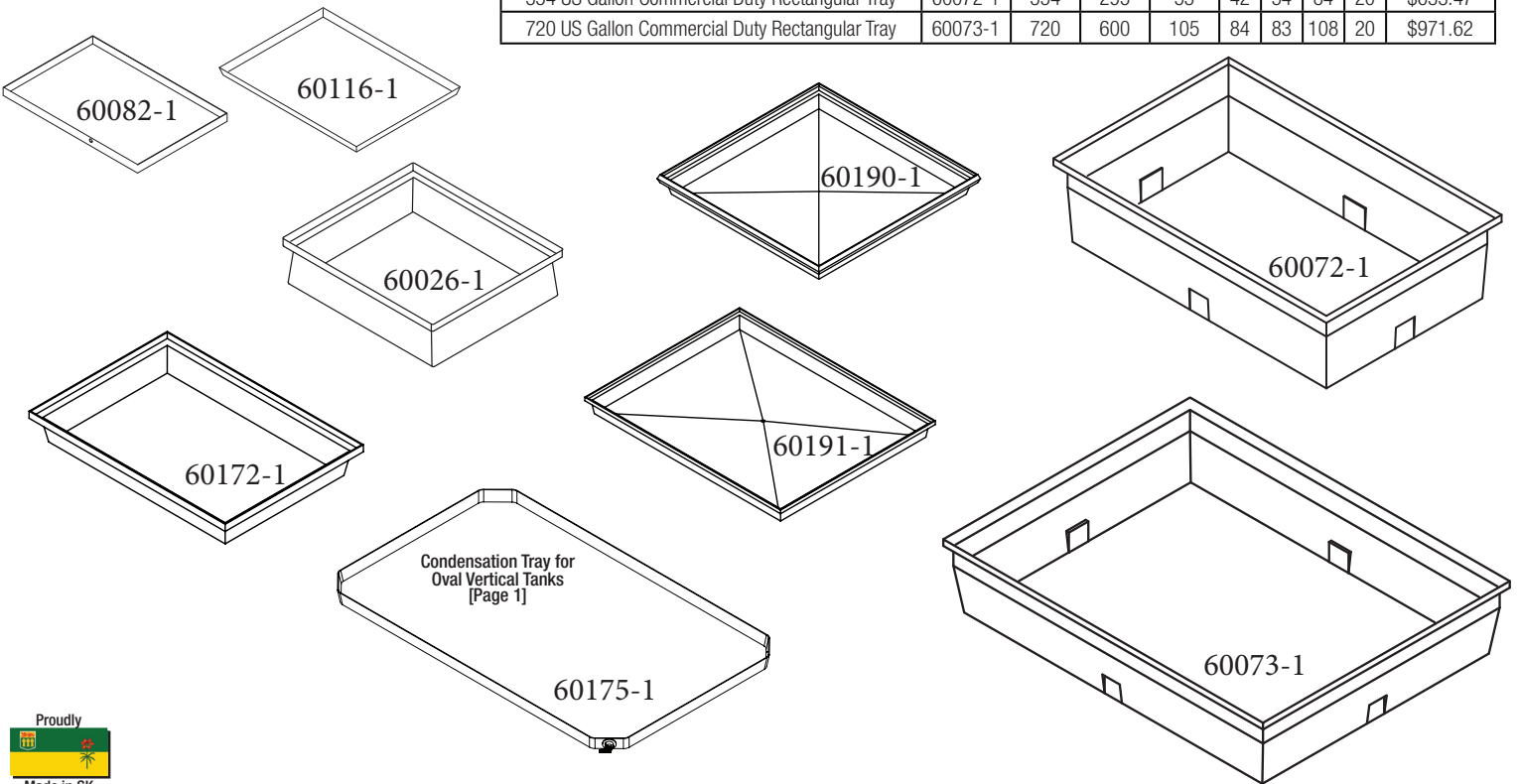
Description	Part #	Dia"	H"	MSRP
HD Document Storage Tube	60117-1	5	14	\$25.33



Spill Trays & Trough

- 7-72 US Gallon, containment or spill trays
- Excellent cold weather impact resistance
- Excellent chemical resistance
- Suitable for commercial spill trays
- Contact for availability in custom thicknesses

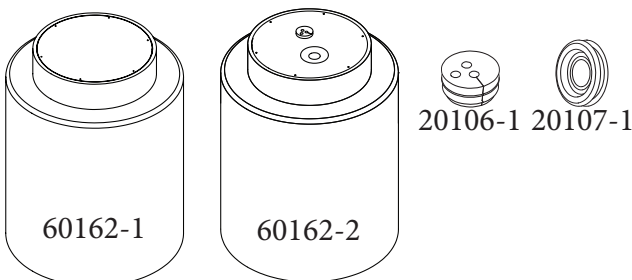
Description	Part #	US Gal	Imp Gal	Cu. Ft.	Bu	W"	L"	H"	MSRP
7 US Gallon Spill Tray	60082-1	7	6	1	1	24	36	2	\$31.53
8 US Gallon Spill Tray	60116-1	8	7	1	1	27	36	2	\$35.52
11 US Gallon Condensation Tray	60175-1	11	9	1	30	33	50	2	\$70.91
17 US Gallon Stacking Spill Tray	60026-1	17	14	2	2	24	27	7	\$81.51
38 US Gallon Rectangular Tray	60190-1	38	32	5	4	48	48	5	\$138.37
42 US Gallon Commercial Duty Rectangular Tray	60172-1	42	35	6	5	33	48	6	\$220.15
46 US Gallon Rectangular Tray	60191-1	46	38	6	5	48	60	5	\$129.56
354 US Gallon Commercial Duty Rectangular Tray	60072-1	354	295	53	42	54	84	20	\$633.47
720 US Gallon Commercial Duty Rectangular Tray	60073-1	720	600	105	84	83	108	20	\$971.62



Sump Pits

- Food grade polyethylene. BPA Free.
- Sump pits meet National Building Code 9.14.5.2
- Sump pit lid screws into plastic housing, for better seal

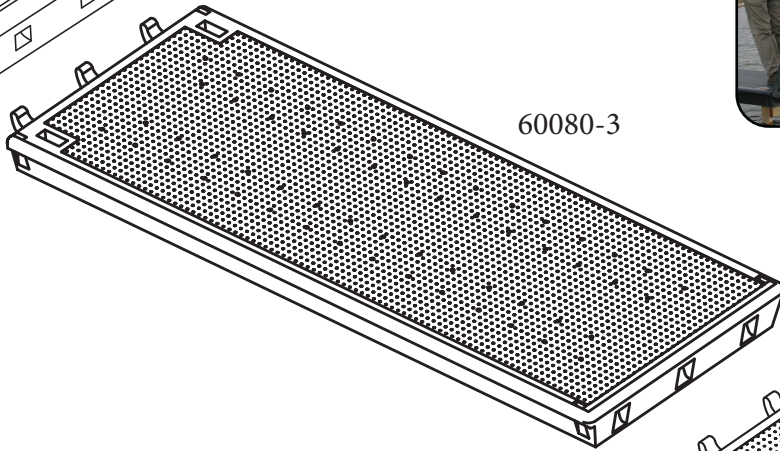
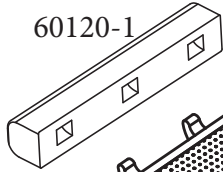
Description	Part #	Lid Size	US Gal	Imp Gal	Cu. Ft.	Dia"	H"	MSRP
23" x 30" Sump Pit Kit - Un-drilled Lid Only	60162-1	15"	52	43	7	23	30	\$86.22
23" x 30" Sump Pit Kit - Lid w/ Grommets	60162-2	15"	52	43	7	23	30	\$113.41
2" Multi-Size Grommet (Fits 1 1/4" to 2" Pipe)	20107-1	-	-	-	-	-	-	\$17.04
2" Electrical Cord Grommet	20106-1	-	-	-	-	-	-	\$8.55



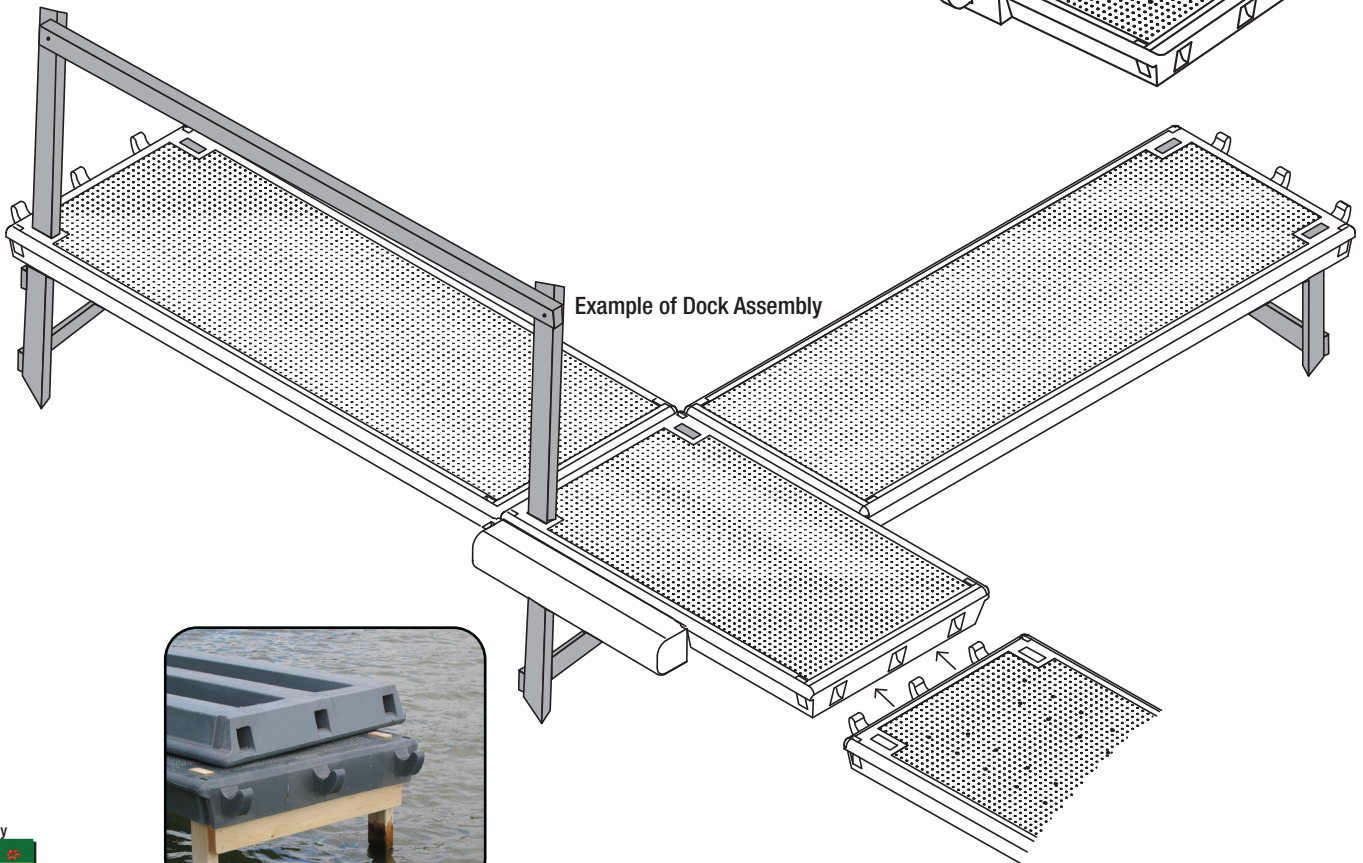
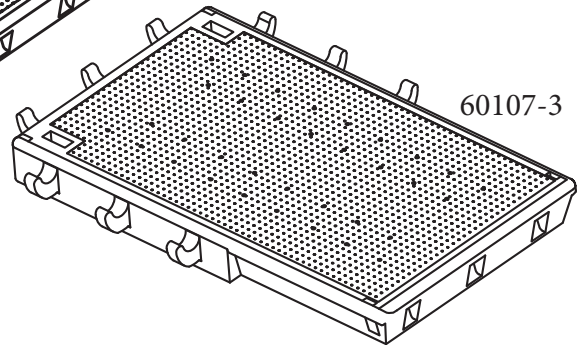
Piers, Docks & Walkways

- Modular Interlocking Design
- Use with 2x4" construction for docks
- Interlock for construction site path
- Available in Black (Recycled) and Grey (Virgin)

Description	Part #	W"	L"	H"	MSRP
3' x 8' Dock/Walkway, Regrind	60080-1	36	96	6	\$266.38
3' x 8' Dock/Walkway	60080-3	36	96	6	\$389.50
3' x 5' Dock/Walkway Connector, Regrind	60107-1	36	60	6	\$195.06
3' x 5' Dock/Walkway Connector	60107-3	36	60	6	\$273.02
3' Dock/Walkway Bumper/End Cap	60120-1	6	36	6	\$54.93



One Example of Installation & Removal



Example of Dock Assembly



Tank Accessories and Fittings

Spin Weld Fittings

- Available in sizes from 1/4" to 3" National Pipe Thread (NPT) fittings
- Spin weld fittings are suitable in tanks that have no openings or lids
- Available in male and female configurations. Contact factory on availability
- Contact factory for special fitting installation requests. Some custom/non-stocked fittings shown below:



Flush



Patch



Raised
Double End

20008-1
[for 30023-1]

Raised
Threaded



Raised
(Shown)

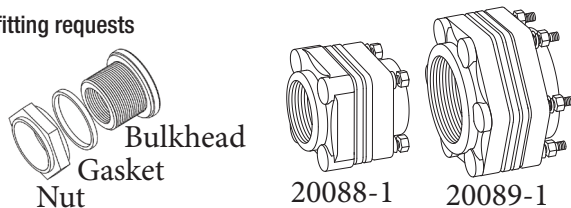


Description	Part #	MSRP
1/4" NPT-F Raised, White	20012-1	\$13.32
3/8" NPT-F Raised, White	20000-1	\$13.32
1/2" NPT-F Raised, White	20001-1	\$13.32
3/4" NPT-F Raised, White	20002-1	\$13.32
1" NPT-F Raised, White	20009-1	\$11.84
1 1/4" NPT-F Raised, White	20010-2	\$11.84
1 1/2" NPT-F Raised, White	20004-1	\$12.97
2" CAP Thread Raised, White	20008-1	\$11.21
2" NPT-F Raised, White	20015-1	\$17.17

Bulkhead Fittings

- Available in sizes from 1/2" to 4" NPT fittings
- Bulkheads are suitable for tanks that allow for a fitting to pass into the tank by lid/opening
- Available in female threads
- Bolted bulkheads available for longer lasting and more durable fitting installation
- Stainless steel fittings available in 1", 2" and 3" NPT sizes.
- When selecting a bulkhead, the tank radius must be considered.
A steeper radius would only allow smaller fittings to seal.

- Contact factory for special fitting requests



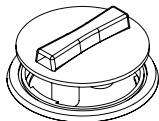
Description	Max Wall Thickness	Part #	MSRP
1/2" NPT-F	1/2"	20020-1	\$17.76
3/4" NPT-F	1/2"	20021-1	\$18.52
1" NPT-F	1/2"	20022-1	\$25.63
1" NPT-F	1"	20117-1	\$34.28
1 1/4" NPT-F	1/2"	20023-1	\$28.28
1 1/2" NPT-F	1/2"	20024-1	\$29.94
2" NPT-F	1/2"	20025-1	\$44.03
3" NPT-F	1"	20028-1	\$72.83
4" NPT-F	3/4"	20094-1	\$228.81
2" NPT-F,Bolted	5/16"	20088-1	\$189.13
3" NPT-F,Bolted	1/2"	20089-1	\$291.20
2" NPT-F,Bolted	3/4"	20102-1	\$196.67
3" NPT-F,Bolted	3/4"	20093-1	\$293.37
1" NPT-F,Stainless Steel	1"	20075-1	\$130.34
2" NPT-F,Stainless Steel	1"	20077-1	\$256.52
3" NPT-F,Stainless Steel	1"	20079-1	\$259.26

Caps & Lids

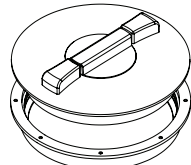
- Lids come in vented or non-vented options. Screw-in lid ring included.
- Caps range from 2"-9"; Lids range from 5"-22"
- Contact factory for special fitting requests



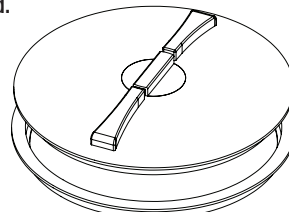
30023-1
[for 20008-1]



30017-1



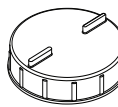
30005-1



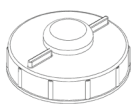
30025-1



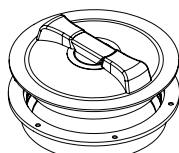
30000-1



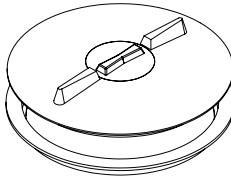
30001-1



30018-1



30004-1

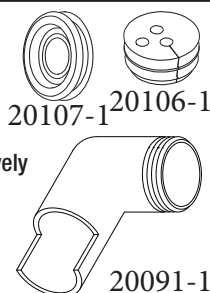


30006-1

Description	Part #	MSRP
2" Threaded Cap	30023-1	\$3.15
3" Threaded Cap	30000-1	\$8.99
5" Threaded Cap	30001-1	\$16.23
5" Threaded Vented Cap	30018-1	\$54.20
7" Threaded Cap	30014-1	\$21.41
9" Threaded Cap	30022-1	\$23.26
5" Non-Vented Lid and Ring	30024-1	\$25.11
5" Vented Lid and Ring	30017-1	\$22.64
8" Non-Vented Lid and Ring	30003-1	\$48.12
8" Vented Lid and Ring	30004-1	\$53.30
12" Vented Lid and Ring	30005-1	\$64.38
12" Non-Vented Lid and Ring	30026-1	\$49.70
16" Non-Vented Lid and Ring	30019-1	\$58.41
16" Vented Lid and Ring	30006-1	\$84.20
16" Vented Lid, Hinged	30013-1	\$132.86
16" Vented Lid, Hinged, Locking	30028-1	\$214.01
22" Non-Vented Lid and Ring	30027-1	\$206.25
22" Vented Lid and Ring	30025-1	\$175.91
22" Vented Lid, Hinged, Locking	30029-1	\$198.62

Other Accessories

- Siphon tubes provide access to the bottom of larger tanks
- Multi-sized pipe grommet fits 1 1/4", 1 1/2" and 2" pipe
- Plastic mesh Screens fit into 8", 12" and 16" lids respectively
- Contact factory for custom accessory requests



Description	Part #	MSRP
8" Plastic Strainer Mesh (Fits 8" Lids)	30009-1	\$56.23
12" Plastic Strainer Mesh (Fits 12" Lids)	30010-1	\$55.47
15" Plastic Strainer Mesh (Fits 16" Lids)	30011-1	\$58.01
2" NPT-M Siphon Tube	20090-1	\$38.00
3" NPT-M Siphon Tube	20091-1	\$98.90
1" Sight Tube Kit (Universal)	20124-1	\$394.95
2" Electrical Cord Grommet	20106-1	\$8.55
2" Multi-Size Grommet (Fits 1 1/4" to 2" Pipe)	20107-1	\$17.04

Sales and Marketing Policies:

Quality Molded Plastics Ltd. products and components are sold to original equipment manufacturers and authorized retailers (dealers). These products and components are available to the end user through retailers and equipment dealerships. Prices shown are manufacturer's suggested retail prices (MSRP). Dealer prices may vary.

Warranty:

Quality Molded Plastics Ltd. warrants that its products are free of defects in material and workmanship for a period of two years from the date of original purchase. Within this period, Quality Molded Plastics Ltd. will repair or replace at its discretion, a claimed defective product or part up to the net value of the original sale without charge, exclusive of any other charges, but not limited to, items such as freight. Out purchased components included or installed at customer request on the original bill of sale are subject to the warranty terms of the actual manufacturer. The foregoing warranties are an abridge digest of all other warranties, written or expressed, including, but not limited to, those concerning suitability for a particular purpose. Quality Molded Plastics Ltd. complete Terms and Conditions of Sale are found at www.qualitymoldedplastics.com. Claims under these warranties must be made promptly, at a maximum within two (2) years after receipt of goods by the buyer. Any warranty action by the buyer must be expressly pre-authorized by Quality Molded Plastics Ltd. .

Limitation of Liability:

Except for claims for bodily injury, Quality Molded Plastics Ltd. liability for any and all claims arising out of the purchase of the product shall not exceed the billed or billable value of the product. In no case will Quality Molded Plastics Ltd. be liable for any consequential damages or loss of profit, even if Quality Molded Plastics Ltd has been advised of the possibility of such damages.

By purchasing Quality Molded Plastics Ltd. ("QMP") product(s) and transporting said product(s) from QMP property, any damage due to the mishandling of the product(s), insufficient securing of load, or using incorrect equipment to move the product(s) after delivery is in no way QMP's liability. As soon as product is shipped from QMP premises, all liability of product(s) lies with the customer and/or the carrier who is transporting the product(s).

Technical Assistance:

Quality Molded Plastics Ltd. personnel are available to provide technical and design assistance in the choice and use of products and parts furnished to the buyer. Quality Molded Plastics Ltd. assumes no obligation or liability for any such advice, or any consequences occurring as a result of the application of such advice. The buyer is solely responsible for the selection of the appropriate product(s) and/or parts and the appropriate application to the intended end use.

For Full Terms and Conditions, Refer to www.qualitymoldedplastics.com.



Quality Molded Plastics Ltd.

Better Engineered Products from Planning to Production

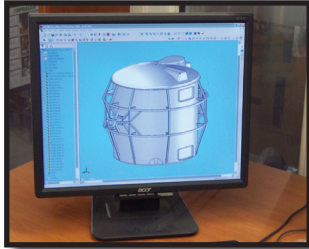


Quality Molded Plastics Ltd. Custom Mold Fabrication and Rotational Molding

Quality Molded Plastic's robust team is determined to lead the industry of rotationally molded products and exceed customer expectations through innovative design, technical service, practical expertise, and exceptional product quality.

Extensive design and molding experience

Quality Molded Plastics Ltd. (QMP) employs skilled engineers and tradesmen dedicated to design and fabricate molds and plastic products bringing our clients concept to final product. Knowing what can't be done is as important as knowing what can be done. In addition to coming up with creative solutions to help you optimize your design, we can also help you avoid potential problems. Good product design takes a combination of creativity, knowledge and experience. We have been helping our customers get the most out of their product designs for over 25 years.



Highly Experienced Craftsmen

It takes years of experience to understand how to craft metal into a mold that produces a high quality component. QMP employs engineers and highly experienced metal craftsman to design fabricate and maintain your mold.



Capacity

Quality Molded Plastics Ltd. has a mold shop facility located within our main manufacturing operation, capable of fabricating, modifying and maintaining molds. The QMP mold shop is fully capable of fabricating sheet aluminum, steel and stainless steel molds as well as modifying and maintaining molds up to 2,000 Cu Ft. in volume. Other services include in house surface treatments such as sand blasting, polishing and shot peening.



Capital Circle W & Auction Mart Rd, Saskatoon, SK S7K 3J7

Phone: (306) 242-4494 Fax: (306) 242-4122 Email: info@qmoplastics.com

www.qmoplastics.com

**Better Engineered Products
From Planning to Production**